



PRODUCT CATALOGUE



CONTENT

PRODUCTS

INTRODUCTION	4
LED SERIES	
SCORPIUS/CANIS PRO 415 PH NEW!	10
CENTAURUS	12
SCORPIUS	16
ANTARES	24
VIRGO	28
SPICA	32
CANIS	36
CAPELLA	40
GO SERIES	
SCORPIUS GO	46
CANIS GO	47
ANTARES GO	48
KL SERIES	50
SPECIAL LIGHTS	
GEMINI	58
PICTOR	62
TAURUS	64
SAFETY LIGHTS	
VELA	66
REAR LIGHTS	
CORONA NEW!	68
DORADO	70
FRONT LIGHTS	
BUMBLEBEE NEW!	72
CUE NEW!	74
SCULPTOR	76
HALOGEN WORK LIGHTS	79
HALOGEN INDICATOR LIGHTS	82
HALOGEN FLUSH MOUNT	83
HID WORK LIGHTS	85
WARRANTY & ABBREVIATIONS	86

LIGHT EXPERTISE FROM FINLAND NORDICLIGHTS

We are embedded in an ideal framework for the building of key expertise in developing lighting solutions for heavy-duty equipment. Coming from the Nordic countries, with our, at times, extreme weather conditions and climate, we understand the importance of optimal lighting. Productive collaboration with our partners in different branches of industry and continuous strategic investments in our own R&D department, laboratories, and the latest in simulation software has made us experts in lighting technology. We are ISO 9001 and ISO 14001 certified and our quality management system covers all key processes.

Today, we can claim to be the world's best producer of lights for heavy-duty vehicles. We develop, design, manufacture, and test all of our light series in our own factory in Finland. This way we ensure that every part of the process is fine-tuned to perfection. We take pride in the fact that we are not newcomers,

but have been excelling in our field for decades.

The use of NORDIC LIGHTS® work lights on your heavy-duty equipment is a brilliant choice. You will get superior durability, low maintenance, and the best available technology backed by extensive testing. It is important to us to offer the right lighting solution to each customer. The light is optimized for the specific equipment or use by different combinations of light patterns, brackets, dampeners, and cable connectors. You can choose your LED work light from our extensive product range, or we can customize it for you.

In the introduction to our product range found in this brochure you will find the product's key facts, such as technical data and light patterns. If you would like to find out more about the What, How, and Why, please visit nordiclights.com.



THIS IS HOW WE ROLL



Making Outstanding Lights for Heavy-Duty Vehicles

We make sure your product is truly ready for heavy-duty use. We will help you improve light distribution, efficiency, and safety on the worksite. All our lights are premium products, sturdy and reliable. They are put through extensive testing before passing inspection. These tests include lumen output and light distribution, vibration and shock, dust and humidity, heat and cold exposure, thermal cycling, thermal protection, electromagnetic compatibility, full functionality, abnormal conditions, chemical resistance, and usability. Our products are valued for their even light distribution, high quality and zero emissions in many cases.

XTR The Unbreakable Master

WE AIM FOR PERFECTION. This time, it meant creating something unbreakable. May we introduce our XTR series; premium lights with an outstanding lifespan and light output up to 7200 lumens. The work lights in the XTR series come equipped with our revolutionary QUAKE dampening system designed to withstand the harshest conditions. With a strength capacity of 20 Grms, the XTR takes protection against shock and vibration to the next level.

PRO The Heavy-Duty Champion

WE GIVE YOU OPTIONS. For the products in the PRO series we offer a wide range of light patterns and possibilities for customization. The work lights in our PRO series are equipped with die-cast brackets and a dampening system with a strength capacity of up to 15.3 Grms. With a light output of up to 4400 lumens, the upmarket products in our PRO series are tough to beat.

GO The Step-It-Up Series

WE BELIEVE IN SIMPLICITY. The GO series is aimed at those customers who are completely new to our products or would like to enhance their lighting standard from halogen to LED. In this series, we designed a variety of standard models with a long lifespan and low maintenance. Easy to use, the work lights in the GO series have a light output of between 1000 and 2300 lumens, and a dampening strength capacity of 8 Grms.

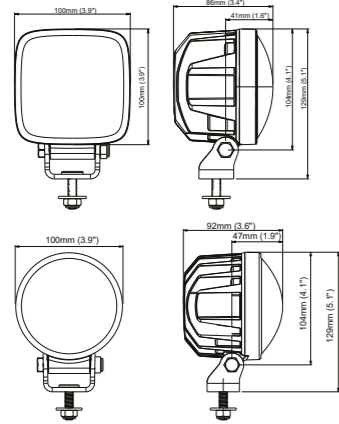
KL The Affordable One

WE CREATE SENSIBLE SOLUTIONS. The work lights in our KL series are an excellent choice when you're looking for a cost-effective alternative for your heavy-duty equipment. This go-to product line is developed with both new and existing customers in mind, optimizing basic design and low-maintenance. The KL lights withstand vibration up to 8 Grms and their light output ranges from 300 to 2150 lumens.



SCORPIUS PRO 415 PH | CANIS PRO 415 PH

MEASUREMENTS

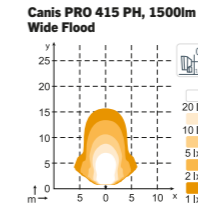
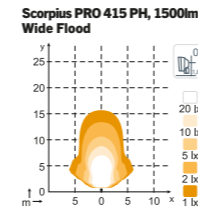


NEW! NO GLARE WITH PHENOM OPTICS

Blinding people with your work lights is a thing of the past with the Phenom Optics (pat. pending) equipped Canis and Scorpius PRO 415 PH. With these work lights you will have maximum safety and high visibility, with a glare-free zone and all light focused on the desired areas. Canis and Scorpius PRO 415 PH are compact and lightweight, ideal for vehicles in material handling and construction. Thanks to the clear cut-off line, they have an asymmetrical wide flood light pattern that doesn't reach eye-level but still illuminates the work area efficiently. They deliver an operational lumen output of 1500 lm and withstand vibrations of up to 8 Grms.

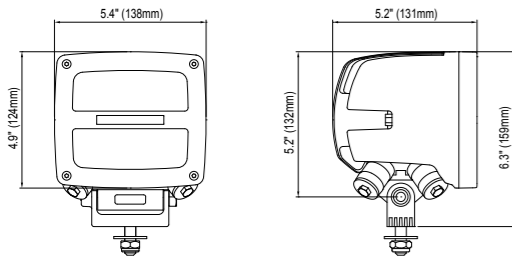
TECHNICAL SPECIFICATIONS	SCORPIUS PRO 415 PH	CANIS PRO 415 PH
Theoretical / Operational Lumens Output:	1950lm / 1500lm	1950lm / 1500lm
Colour Temperature:	5000K	5000K
Nominal / Input Voltage DC:	12, 24V / 9-16, 18-32V	12, 24V / 9-16, 18-32V
Power Consumption:	28 W	28 W
Nominal Current:	12V=2.4A / 24V=1.2A	12V=2.4A / 24V=1.2A
Mount:	M8	M8
Connector:	Built-in Deutsch 2-pin	Built-in Deutsch 2-pin
EMC:	CISPR 25 Class 5, EN 14982-2, ISO 13766, EN 12895, ISO 11452-2, EN 13309, ISO 7637-2	CISPR 25 Class 5, EN 14982-2, ISO 13766, EN 12895, ISO 11452-2, EN 13309, ISO 7637-2
Electronics:	Integrated / Isolated	Integrated / Isolated
Shock:	60 G	60 G
Vibration:	8 Grms 24-2000 Hz	8 Grms 24-2000 Hz
Lens:	Glass	Glass
Body:	IP68, IP6K9K	IP68, IP6K9K
Weight:	0.6 kg	0.6 kg
Operating Temperatures:	-40°C... +85°C (Overheat protected)	-40°C... +85°C (Overheat protected)

LIGHT PATTERNS



CENTAURUS

MEASUREMENTS



THE DIAMOND

The Centaurus is our masterpiece. This product is primarily used in the mining industry and is particularly useful for bucket-wheel excavators, draglines, highwall miners, hydraulics, surface miners, and wheel dozers. The Centaurus product family has a square form factor and utilizes our groundbreaking innovation, the QUAKE dampening system, and has an output of up to 7200 lumens.

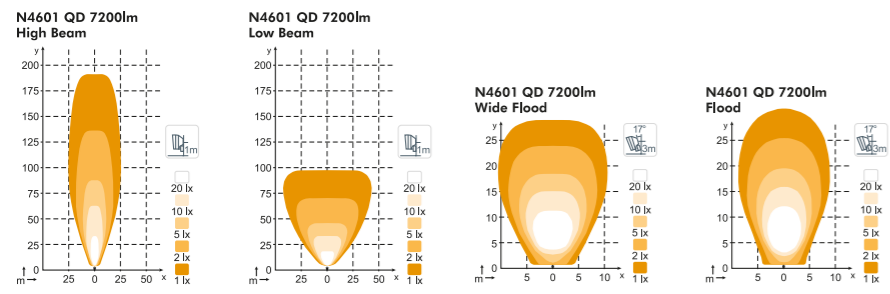




TECHNICAL SPECIFICATIONS **CENTAURUS LED N4601 QD**

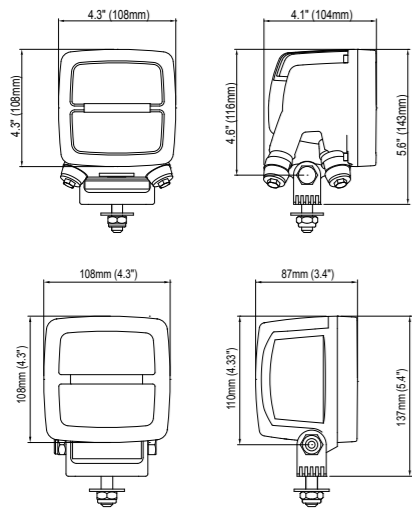
Theoretical / Operational Lumens Output:	11500lm / 7200lm
Colour Temperature:	5700K
Nominal / Input Voltage DC:	18-32V
Power Consumption:	85W
Nominal Current:	3.5A
Mount:	Single Bolt M10
Connector:	Built-in Deutsch DT-2 (2-pin)
EMC:	CISPR 25 Class 3, ISO 13766, ISO 14982, ISO 7637-2
Electronics:	Integrated
Shock:	60G
Vibration:	15.3Grms 24-2000Hz, 4.65Grms 12-2000Hz
IP Rating:	IP68, IP6K9K, SAE J1455
Weight:	2.5kg
Operating Temperatures:	-40°C... +85°C (Overheat protected)

▽ LIGHT PATTERNS



SCORPIUS

MEASUREMENTS



IN A LEAGUE OF ITS OWN

The Scorpius product series is the most popular in our collection and sees use in many industries, including mining, construction, forestry, trucking, emergency response, agriculture, and material handling. It has an asymmetric wide flood feature, making it the best light pattern you will find on the market, particularly suitable for large, open spaces. This product family has a square form factor, and an output ranging between 2000 and 4400 lumens.



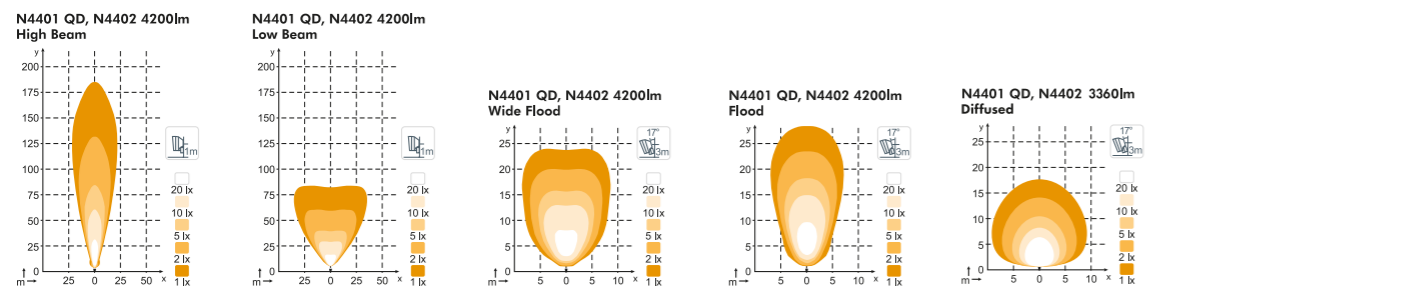


TECHNICAL SPECIFICATIONS	SCORPIUS LED N4401 QD	SCORPIUS LED N4402
Theoretical / Operational Lumens Output:	6700 lm / 4200lm	6700lm / 4200lm
Colour Temperature:	5700K	5700K
Nominal / Input Voltage DC:	12-24V / 9-32V	12-24V / 9-32V
Power Consumption:	50W	50W
Nominal Current:	24V=2.1A / 12V=4.2A	24V=2.1A / 12V=4.2A
Mount:	Single Bolt M10	Single Bolt M10
Connector:	Built-in Deutsch DT-2 (2-pin)	Built-in Deutsch DT-2 (2-pin)
EMC:	CISPR 25 Class 5	CISPR 25 Class 5
Electronics:	Integrated	Integrated
Shock:	60G	60G
Vibration:	20Grms 24-2000Hz / 4.65Grms 12-2000Hz	15.3Grms 24-2000Hz
IP Rating:	IP68 / IP6K9K / SAE J1455	IP68 / IP6K9K / SAE J1455
Weight:	1.6kg	1.1kg
Operating Temperatures:	-40°C... +85°C (Overheat protected)	-40°C... +85°C (Overheat protected)

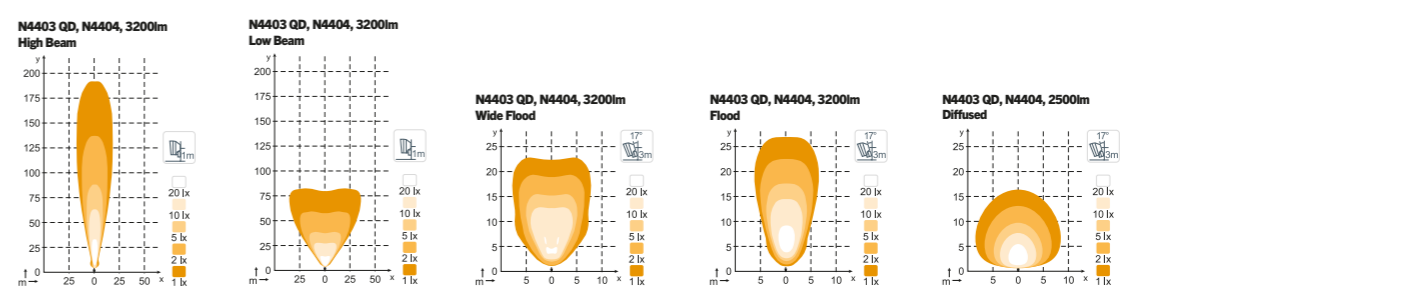


TECHNICAL SPECIFICATIONS	SCORPIUS LED N4403 QD	SCORPIUS LED N4404
Theoretical / Operational Lumens Output:	5000lm / 3200lm	5000lm / 3200lm
Colour Temperature:	5700K	5700K
Nominal / Input Voltage DC:	12-24V / 9-32V	12-24V / 9-32V
Power Consumption:	35W	35W
Nominal Current:	24V=1.45A / 12V=2.9A	24V=1.45A / 12V= 2.9A
Mount:	Single Bolt M10	Single Bolt M10
Connector:	Built-in Deutsch DT-2 (2-pin)	Built-in Deutsch DT-2 (2-pin)
EMC:	CISPR 25 Class 5	CISPR 25 Class 5
Electronics:	Integrated	Integrated
Shock:	60G	60G
Vibration:	20Grms 24-2000Hz / 4.65Grms 12-2000Hz	15.3Grms 24-2000Hz
IP Rating:	IP68 / IP6K9K / SAE J1455	IP68 / IP6K9K / SAE J1455
Weight:	1.6kg	1.1kg
Operating Temperatures:	-40°C... +85°C (Overheat protected)	-40°C... +85°C (Overheat protected)

▽ LIGHT PATTERNS



▽ LIGHT PATTERNS



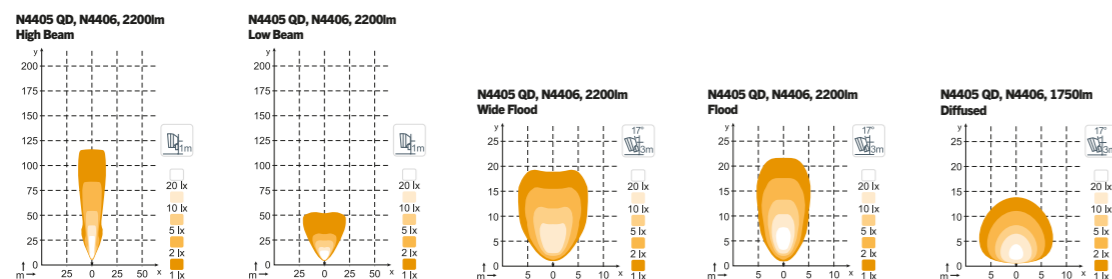


TECHNICAL SPECIFICATIONS	SCORPIUS LED N4405 QD	SCORPIUS LED N4406
Theoretical / Operational Lumens Output:	3500lm / 2200lm	3500lm / 2200lm
Colour Temperature:	5700K	5700K
Nominal / Input Voltage DC:	12–24V / 9–32V	12–24V / 9–32V
Power Consumption:	22W	22W
Nominal Current:	24V=0.9A / 12V=1.8A	24V=0.9A / 12V=1.8A
Mount:	Single Bolt M10	Single Bolt M10
Connector:	Built-in Deutsch DT-2 (2-pin)	Built-in Deutsch DT-2 (2-pin)
EMC:	CISPR 25 Class 5	CISPR 25 Class 5
Electronics:	Integrated	Integrated
Shock:	60G	60G
Vibration:	20Grms 24–2000Hz / 4.65Grms 12–2000Hz	15.3Grms 24–2000Hz
IP Rating:	IP68 / IP6K9K / SAE J1455	IP68 / IP6K9K / SAE J1455
Weight:	1.6kg	1.1kg
Operating Temperatures:	-40°C... +85°C (Overheat protected)	-40°C... +85°C (Overheat protected)

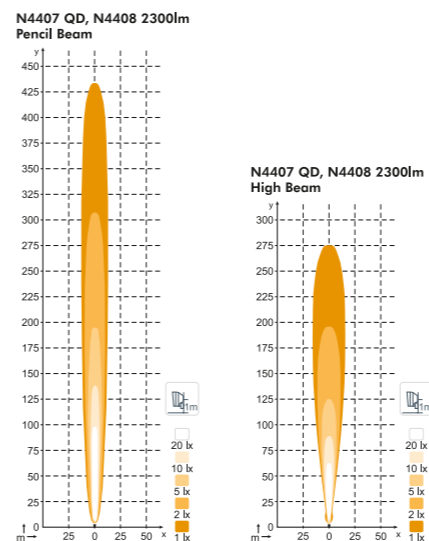


TECHNICAL SPECIFICATIONS	SCORPIUS LED N4407 QD	SCORPIUS LED N4408
Theoretical / Operational Lumens Output:	3700 lm/2300lm	3700lm / 2300lm
Colour Temperature:	5700K	5700K
Nominal / Input Voltage DC:	12–24V / 9–32V	12–24V / 9–32V
Power Consumption:	40W	40W
Nominal Current:	24V=1.7A / 12V=3.4A	24V=1.7A / 12V=3.4A
Mount:	Single Bolt M10	Single Bolt M10
Connector:	Built-in Deutsch DT-2 (2-pin)	Built-in Deutsch DT-2 (2-pin)
EMC:	CISPR 25 Class 3	CISPR 25 Class 3
Electronics:	Integrated	Integrated
Shock:	60G	60G
Vibration:	20Grms 24–2000Hz / 4.65Grms 12–2000Hz	15.3Grms 24–2000Hz
IP Rating:	IP68 / IP6K9K / SAE J1455	IP68 / IP6K9K / SAE J1455
Weight:	1.6kg	1.1kg
Operating Temperatures:	-40°C... +85°C (Overheat protected)	-40°C... +85°C (Overheat protected)

▽ LIGHT PATTERNS



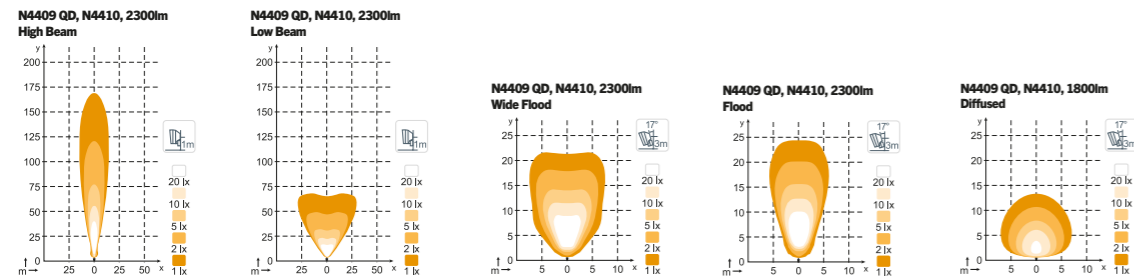
▽ LIGHT PATTERNS





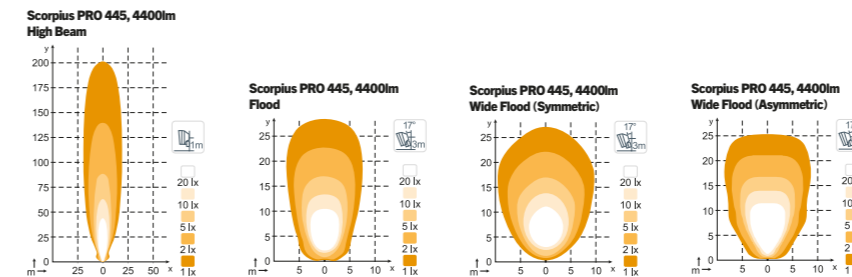
TECHNICAL SPECIFICATIONS	SCORPIUS LED N4409 QD	SCORPIUS LED N4410
Theoretical / Operational Lumens Output:	3700lm / 2300lm	3700lm / 2300lm
Colour Temperature:	5700K	5700K
Nominal / Input Voltage DC:	12V, 24V / 9-16V, 18-32V (Dimmable)	12V, 24V / 9-16V, 18-32V (Dimmable)
Power Consumption:	41W	41W
Nominal Current:	24V=1.7A / 12V=3.4A	24V=1.7A / 12V=3.4A
Mount:	Single Bolt M10	Single Bolt M10
Connector:	Built-in Deutsch DT-2 (2-pin)	Built-in Deutsch DT-2 (2-pin)
EMC:	CISPR 25 Class 5	CISPR 25 Class 5
Electronics:	Integrated / Isolated	Integrated / Isolated
Shock:	60G	60G
Vibration:	20Grms 24-2000Hz / 4.65Grms 12-2000Hz	15.3Grms 24-2000Hz
IP Rating:	IP68 / IP6K9K / SAE J1455	IP68 / IP6K9K / SAE J1455
Weight:	1.6kg	1.1kg
Operating Temperatures:	-40°C... +85°C (Overheat protected)	-40°C... +85°C (Overheat protected)

▽ LIGHT PATTERNS



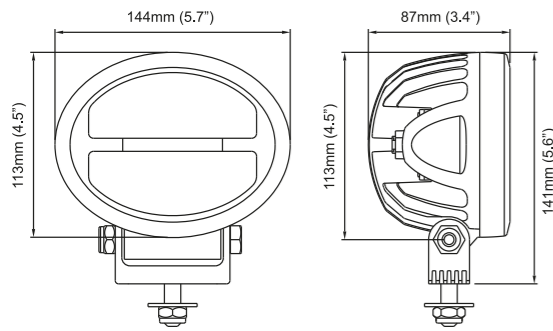
TECHNICAL SPECIFICATIONS	SCORPIUS PRO 445	SCORPIUS 400 BLUE
Theoretical / Operational Lumens Output:	7000lm / 4400lm	Light color: Blue, 475nm
Colour Temperature:	5000K	Luminous intensity: 30 000 cd
Nominal / Input Voltage DC:	12, 24 VDC / 9-32 VDC	12, 24V / 9-16, 18-32V (Dimmable)
Power Consumption:	50 W	50 W
Nominal Current:	4.2 A @ 12 V / 2.1 A @ 24 V	12V=4.2A / 24V=2.1A
Mount:	M10 Bolt / Pedestal	Single Bolt M10
Connector:	Built-in Deutsch DT-2 (2-pin)	Built-in Deutsch 2-pin
EMC:	CISPR 25 Class 5, ISO 13766, ISO 14982-2, ISO 11452-2, ISO 7637-2, EN 61000-4-2	CISPR 25 Class 5, ISO 13766, ISO 14982-2, ISO 11452-2, ISO 7637-2, EN 61000-4-2
Electronics:	Integrated / Isolated	Integrated / Isolated
Shock:	60G	60 G
Vibration:	15.3 Grms 24-2000 Hz	15.3 Grms 24-2000 Hz
IP Rating:	IP68, IP6K9K	IP68, IP6K9K
Weight:	1.0 kg	1.1 kg
Operating Temperatures:	-40°C... +85°C (Overheat protected)	-40°C... +85°C (Overheat protected)

▽ LIGHT PATTERNS



ANTARES

MEASUREMENTS



THE COWBOY

The Antares is our series designed specifically for the agricultural industry. These heavy-duty lights suit bean, beet, potato and pea harvesters, combine and forage harvesters, crop sprayers, slurry tankers, and tractors. This product family has an oval form factor and pedestal mounting. The light output for this series ranges between 2000 and 4200 lumens.

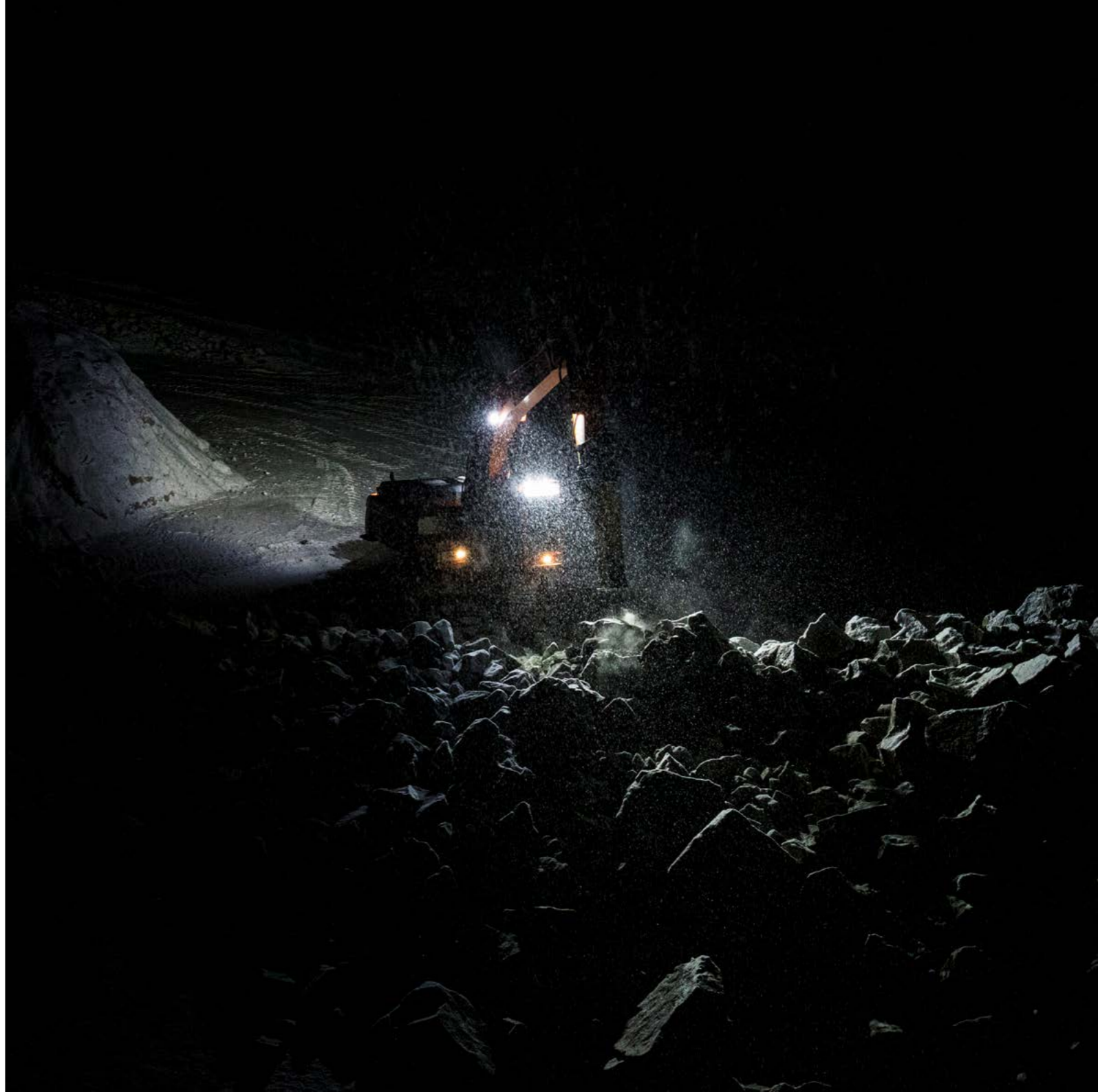
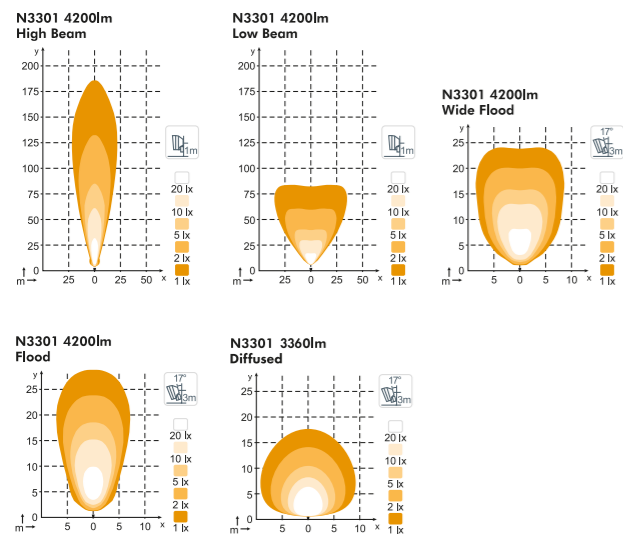




TECHNICAL SPECIFICATIONS ANTARES LED N3301

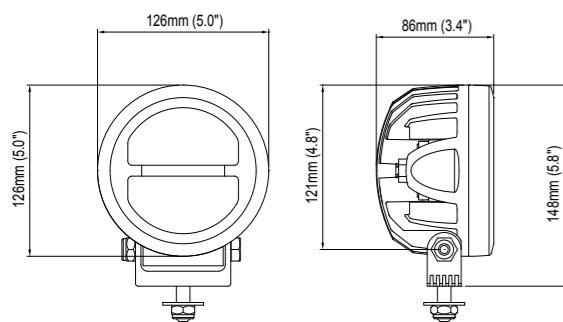
Theoretical / Operational Lumens Output:	6700lm / 4200lm
Colour Temperature:	5700K
Nominal / Input Voltage DC:	12-24V / 9-32V
Power Consumption:	50W
Nominal Current:	24V: 2.1A, 12V: 4.2A
Mount:	Single Bolt M10
Connector:	Built-in Deutsch DT-2 (2-pin)
EMC:	CISPR 25 Class 5, ISO 13766, ISO 14982, ISO 7637-2
Electronics:	Integrated
Shock:	60G
Vibration:	15.3Grms 24-2000Hz
IP Rating:	IP68, IP6K9K, SAE J1455
Weight:	1.2kg
Operating Temperatures:	-40°C... +85°C (Overheat protected)

LIGHT PATTERNS



VIRGO

MEASUREMENTS



WHEN LOOKS MATTER

The Virgo is the round sibling of the Scorpius. The Virgo is used in mining, construction, forestry, trucking, emergency response, agriculture, and material handling. It has an asymmetric wide flood feature, making it the best light pattern you will find on the market, particularly suitable for large open spaces. Virgo has pedestal mounting and an output ranging from 2000 to 4200 lumens.

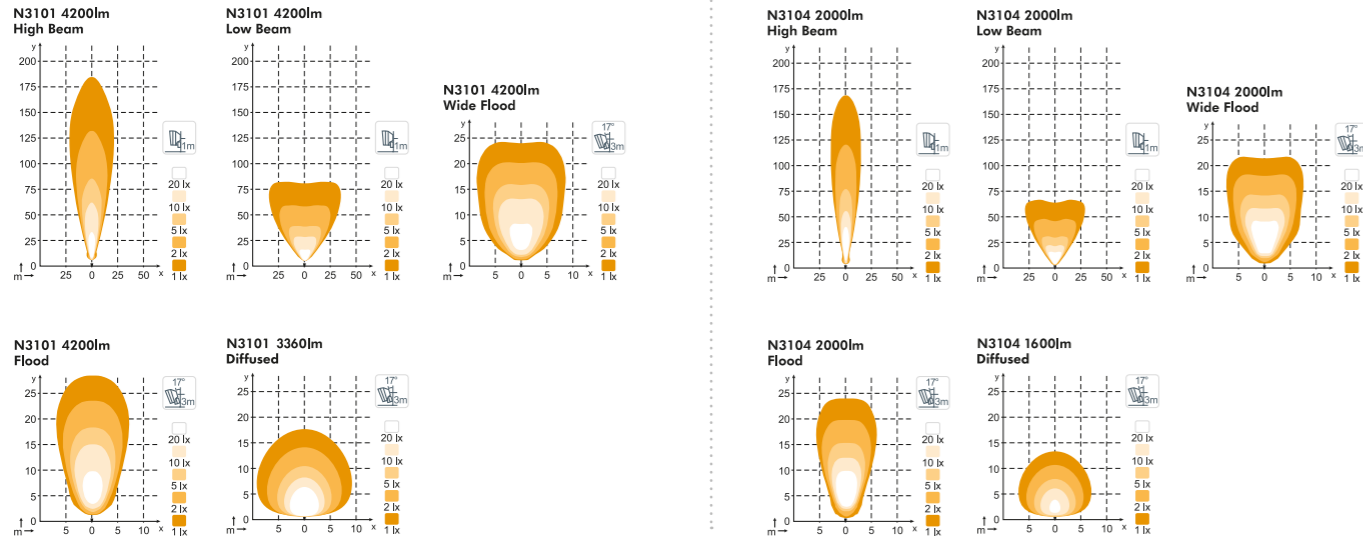




TECHNICAL SPECIFICATIONS	VIRGO LED N3101	VIRGO LED N3104
Theoretical / Operational Lumens Output:	6700lm / 4200lm	3200lm / 2000lm
Colour Temperature:	5700K	5700K
Nominal / Input Voltage DC:	12-24 V / 9-32V	12-24V / 9-32V
Power Consumption:	50W	40W
Nominal Current:	24V: 2.1A, 12V: 4.2A	24V: 1.7A, 12V: 3.4A (Dimmable)
Mount:	Single Bolt M10	Single Bolt M10
Connector:	Built-in Deutsch DT-2 (2-pin)	Built-in Deutsch DT-2 (2-pin)
EMC:	CISPR 25 Class 5, ISO 13766, ISO 14982, ISO 7637-2	CISPR 25 Class 5, ISO 13766, ISO 14982, ISO 7637-2
Electronics:	Integrated	Integrated / Isolated
Shock:	60G	60G
Vibration:	15.3Grms 24-2000Hz	15.3Grms 24-2000Hz
IP Rating:	IP68, IP6K9K, SAE J1455	IP68, IP6K9K, SAE J1455
Weight:	1.3kg	
Operating Temperatures:	-40°C... +85°C (Overheat protected)	

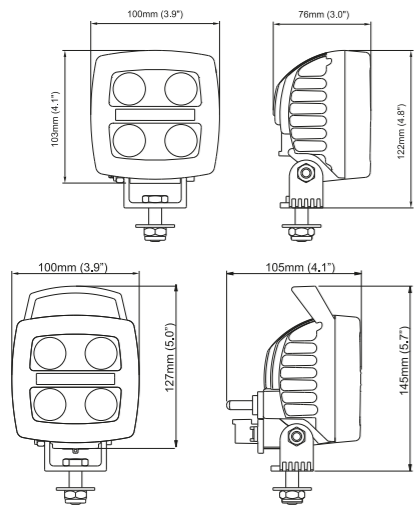


LIGHT PATTERNS



SPICA

MEASUREMENTS



SMALL YET POWERFUL

The Spica series is crafted for smaller heavy-duty machinery like forklifts, tow tractors, telehandlers, ambulances, tractor-trailers, cement mixers, fire engines, flatbed trucks, garbage trucks, panel vans, pickups, utility vans, and water tenders. The light is dimmable and suitable for work in urban areas. The Spica series has a square form factor and an output between 450 and 750 lumens.



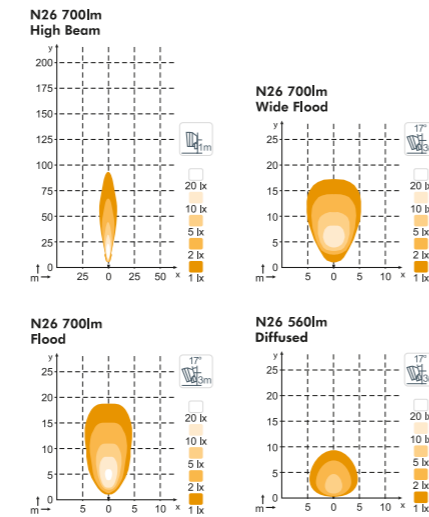
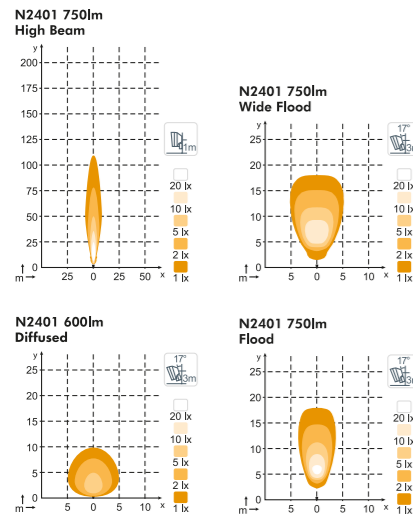


TECHNICAL SPECIFICATIONS	SPICA LED N2401	SPICA LED N26
Theoretical / Operational Lumens Output:	1200lm / 750lm	1100lm / 700lm
Colour Temperature:	5700K	5700K
Nominal / Input Voltage DC:	12-24V / 9-32V (Dimmable)	12-80V / 9-110V
Power Consumption:	24W	17W
Nominal Current:	24V: 1.0A, 12V: 2.0A	80V: 0.21A, 48V: 0.35A, 24V: 0.7A, 12V: 1.4A
Mount:	Single Bolt M10, Single Bolt M8	Single Bolt M10, Single Bolt M8
Connector:	Built-in AMP, Built-in Deutsch DT-2 (2-pin)	Built-in AMP, Built-in Deutsch DT-2 (2-pin)
EMC:	CISPR 25 Class 5, EN 12895 , ISO 13766, ISO 14982, ISO 7637-2	CISPR 25 Class 3, EN 12895, ISO 13766, ISO 14982, ISO 7637-2
Electronics:	Integrated / Isolated	Integrated / Isolated
Shock:	60G	60G
Vibration:	8Grms 24-2000Hz	8Grms 24-2000Hz
IP Rating:	IP68, IP6K9K, SAE J1455	IP68, IP6K9K, SAE J1455
Weight:	0.9kg	0.9kg
Operating Temperatures:	-40°C... +85°C (Overheat protected)	-40°C... +85°C (Overheat protected)

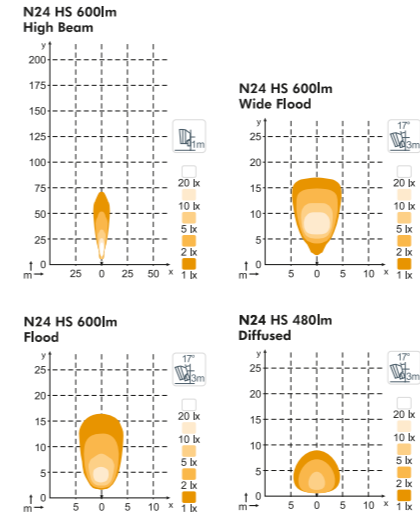


TECHNICAL SPECIFICATIONS	SPICA LED N24 HS
Theoretical / Operational Lumens Output:	1000lm / 600lm
Colour Temperature:	6000K
Nominal / Input Voltage DC:	12-24V / 9-32V
Power Consumption:	18W
Nominal Current:	24V: 0.75A, 12V: 1.5A
Mount:	Single Bolt M10, Single Bolt M8
Connector:	Built-in AMP, Built-in Deutsch DT-2 (2-pin)
EMC:	CISPR 25 Class 3, EN 12895, ISO 13766, ISO 14982, ISO 7637-2
Electronics:	Integrated / Isolated
Shock:	60G
Vibration:	8Grms 24-2000Hz
IP Rating:	IP68, IP6K9K, SAE J1455
Weight:	0.9kg
Operating Temperatures:	-40°C... +85°C (Overheat protected)

▽ LIGHT PATTERNS

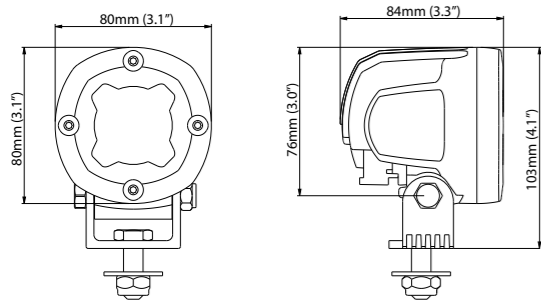


▽ LIGHT PATTERNS



CANIS

MEASUREMENTS



THE POWERFUL SINGLE-LED

This is one of our smallest lights, with a single lamp, and a super wide light pattern. Produced with skid-steer loaders and telehandlers in mind, this light is suitable for mounting in tight spaces and delivers strong illumination relative to its size. The Canis product family has a round form factor, pedestal mounting, and a light output of 1000 lumens.



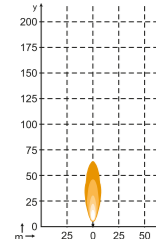


TECHNICAL SPECIFICATIONS	CANIS LED N2001	CANIS LED N2002 R (ECE R23)
Theoretical / Operational Lumens Output:	1600lm / 1000lm	770lm / 480lm
Colour Temperature:	5700K	5700K
Nominal / Input Voltage DC:	12-48V / 9-68V	12-48V / 9-68V
Power Consumption:	13W	13W
Nominal Current:	48V: 0.25A, 24V: 0.5A, 12V: 1.0A	48V: 0.25A, 24V: 0.5A, 12V: 1.0A
Mount:	Single Bolt M10, Single Bolt M8	Single Bolt M10, Single Bolt M8
Connector:	Built-in Deutsch DT-2 (2-pin)	Built-in Deutsch DT-2 (2-pin)
EMC:	CISPR 25 Class 3, EN 12895, ISO 13766, ISO 14982, ISO 7637-2	CISPR 25 Class 3, EN 12895, ISO 13766, ISO 14982, ISO 7637-2, R10
Electronics:	Integrated / Isolated	Integrated / Isolated
Shock:	60G	60G
Vibration:	15.3Grms 24-2000Hz	8Grms 24-2000Hz
IP Rating:	IP68, IP6K9K, SAE J1455	IP68, IP6K9K, SAE J1455
Weight:	0.6kg	0.6kg
Operating Temperatures:	-40°C... +85°C (Overheat protected)	-40°C... +85°C (Overheat protected)

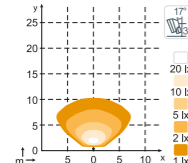


LIGHT PATTERNS

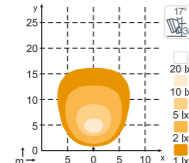
N2001 1000lm High Beam



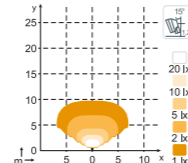
N2001 1000lm Super Wide



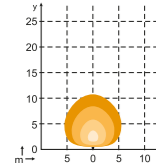
N2001 1000lm Wide Flood



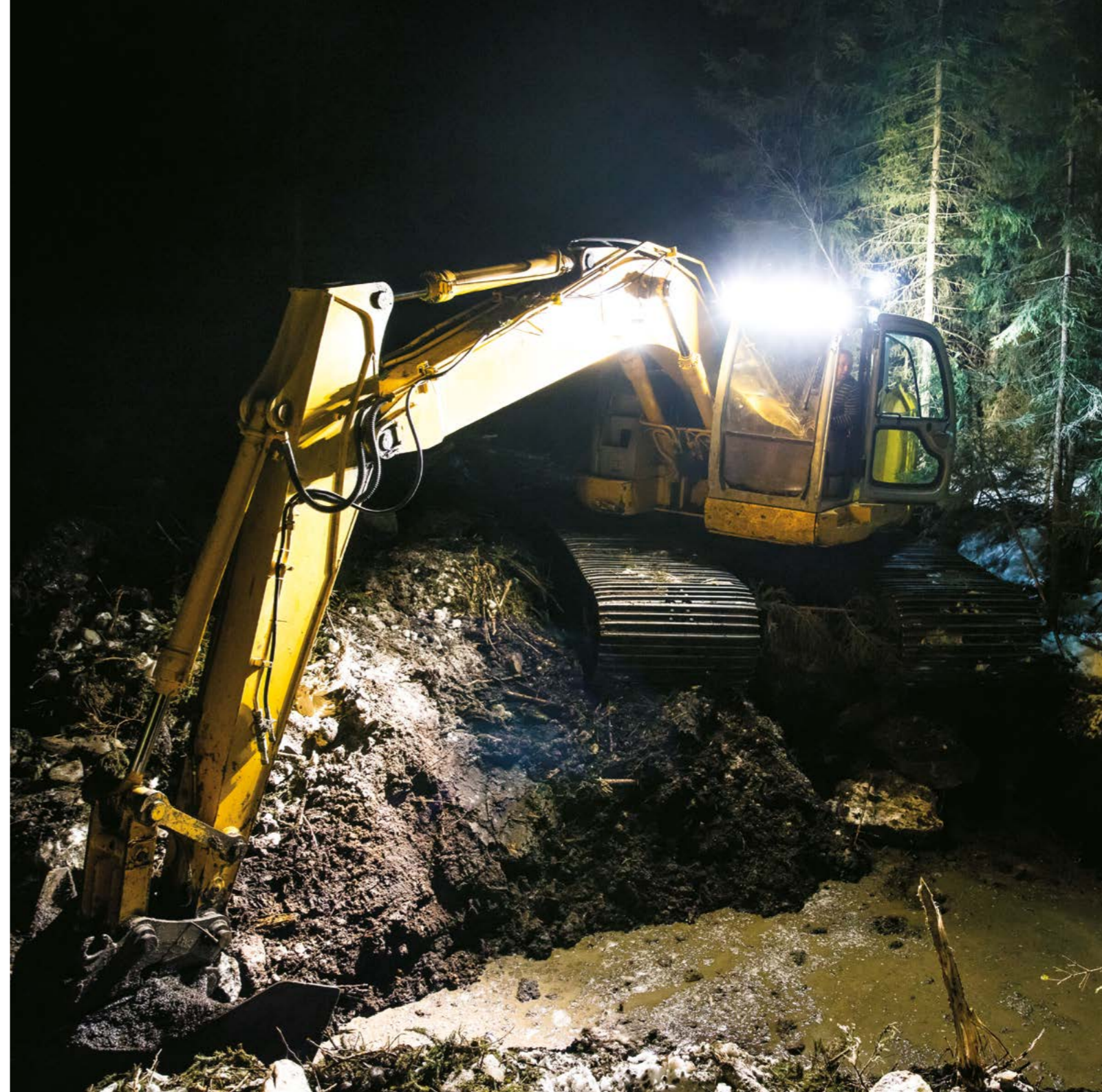
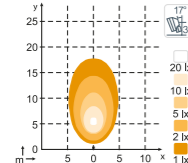
N2002 480lm Reverse



N2001 800lm Diffused

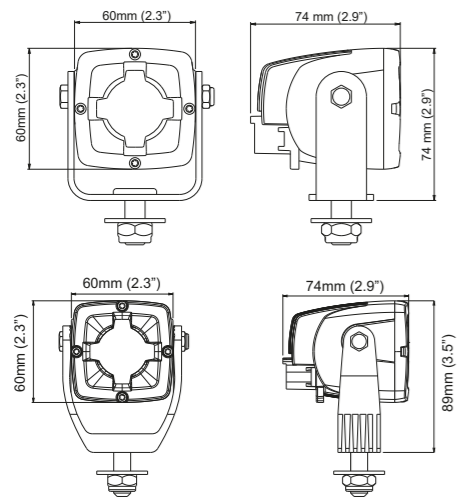


N2001 1000lm Flood



CAPELLA

MEASUREMENTS



THE HIDDEN GEM

The Capella work light is extremely compact in size. It is one of the smallest work lights in our product range, designed to fit in very tight places. The Capella comes in two versions, one of which features a stronger bracket for an increased vibration resistance of up to 15.3 Grms. In the Capella product family there are four light patterns available: flood, wide flood, super wide flood, and diffused; with a light output of 350 lumens.





TECHNICAL SPECIFICATIONS

CAPELLA LED N10 B

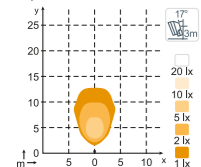
CAPELLA LED N10

Theoretical / Operational Lumens Output:	700lm / 450lm	700lm / 450lm
Colour Temperature:	6000K	6000K
Nominal / Input Voltage DC:	12-48V / 9-68V	12-48V / 9-68V
Power Consumption:	6W	6W
Nominal Current:	48V: 0.13A, 24V: 0.25A, 12V: 0.5A	48V: 0.13A, 24V: 0.25A, 12V: 0.5A
Mount:	Single Bolt M10	Single Bolt M10
Connector:	Built-in Deutsch DT-2 (2-pin)	Built-in Deutsch DT-2 (2-pin)
EMC:	CISPR 25 Class 3, EN 12895 , ISO 13766, ISO 14982, ISO 7637-2	CISPR 25 Class 3, EN 12895, ISO 13766, ISO 14982, ISO 7637-2
Electronics:	Integrated	Integrated
Shock:	60G	60G
Vibration:	15.3Grms 24-2000Hz	8Grms 24-2000Hz
IP Rating:	IP68, IP6K9K, SAE J1455	IP68, IP6K9K, SAE J1455
Weight:	0.3kg	0.3kg
Operating Temperatures:	-40°C... +85°C (Overheat protected)	-40°C... +85°C (Overheat protected)

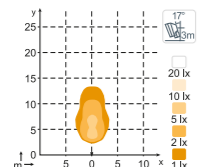


LIGHT PATTERNS

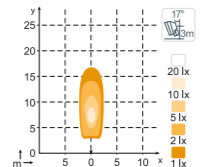
N10 B and N10 350lm Super Wide



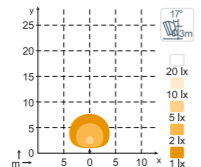
N10 B and N10 350lm Wide Flood



N10 B and N10 350lm Flood



N10 B and N10 300lm Diffused



GO SERIES



THE STEP-IT-UP SERIES

SCORPIUS GO

Our entry-level Scorpius GO is easy to use. There are three light pattern options: flood, wide flood and reverse. Useful in construction, forestry, agriculture, and material handling, the Scorpius product family has a square form factor and pedestal mounting. The light produces zero emissions (EMC CISPR 25 class 5) and its light output is up to 1800 lumens.

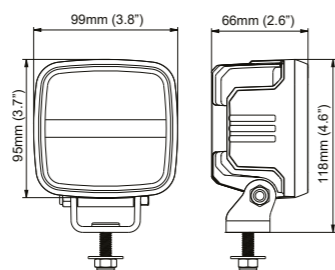
CANIS GO

Our entry-level Canis GO is as good as it gets. While it is lighter than the original, the operational lumen output is just as high. Best suited to construction, forestry, agriculture, and material handling, the Canis GO has a round form factor and pedestal mounting, it produces zero emissions (EMC CISPR 25 class 5) and its light output is up to 1800 lumens.

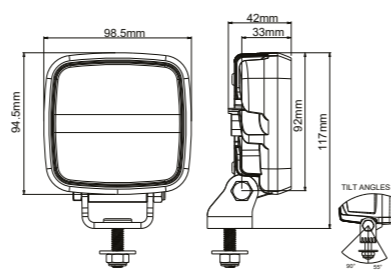
ANTARES GO

Our entry-level Antares GO is a quality solution offering effective illumination. There are three light pattern options: flood, wide flood and reverse. Best suited to construction, forestry, and agriculture, the Antares GO has an oval form factor and pedestal mounting. It produces zero emissions (EMC CISPR 25 class 5) and its light output is up to 2300 lumens.

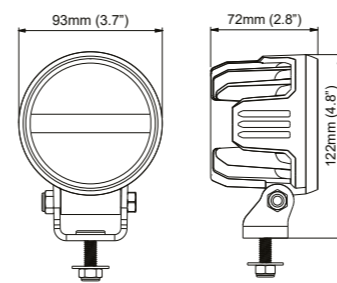
SCORPIUS GO 420



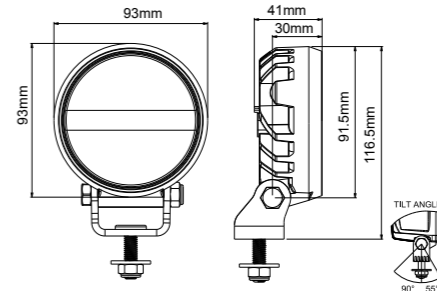
SCORPIUS GO 410



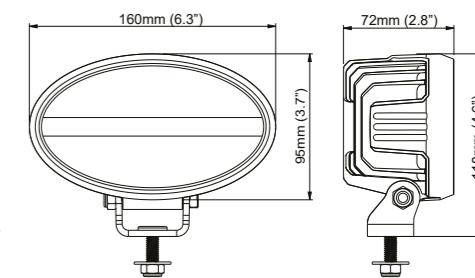
CANIS GO 420



CANIS GO 410



ANTARES GO 610 & 625



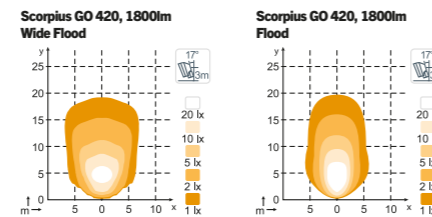
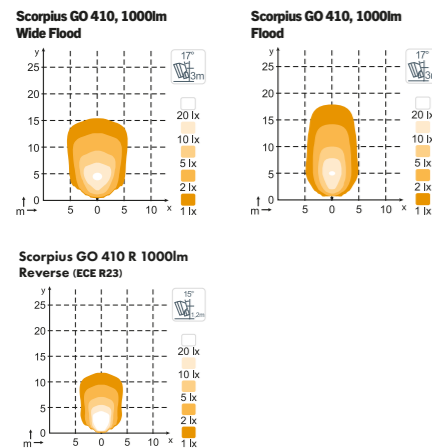


TECHNICAL SPECIFICATIONS	SCORPIUS GO 410	SCORPIUS GO 420
Theoretical / Operational Lumens Output:	1600lm / 1000lm	2800lm / 1800lm
Colour Temperature:	5000K	5000K
Nominal / Input Voltage DC:	12V, 24V / 9-16V, 18-32V, 36, 48V / 30-64V (Dimmable)	12V, 24V / 9-16V, 18-32V (Dimmable)
Power Consumption:	16W (12/24V), 18W (36/48V)	28W
Nominal Current:	@36/48V= 0.38A, @24V=0.60A, @12V=1.05A	@24V=1.00A, @12V=1.80A
Mount:	Single Bolt M8	Single Bolt M8
Connector:	Built-in Deutsch DT-2 (2-pin)	Built-in Deutsch DT-2 (2-pin)
EMC:	CISPR 25 Class 5, EN12895, ISO 13766, ISO 14982, ISO 7637-2	CISPR 25 Class 5, EN12895, ISO 13766, ISO 14982, ISO 7637-2
Electronics:	Integrated / Isolated	Integrated / Isolated
Shock:	60G	60G
Vibration:	8Grms 24-2000 Hz	8Grms 24-2000 Hz
IP Rating:	IP68, IP6K9K	IP68, IP6K9K
Weight:	0.6kg	0.6kg
Operating Temperatures:	-40°C... +85°C (Overheat protected)	-40°C... +85°C (Overheat protected)

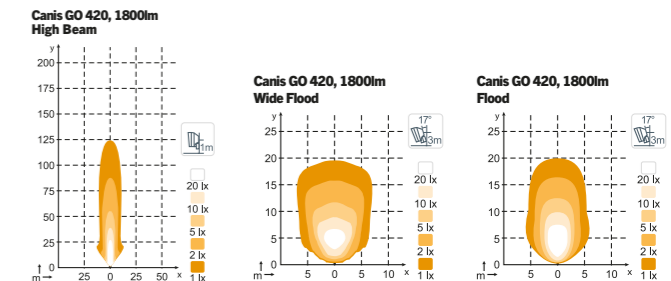
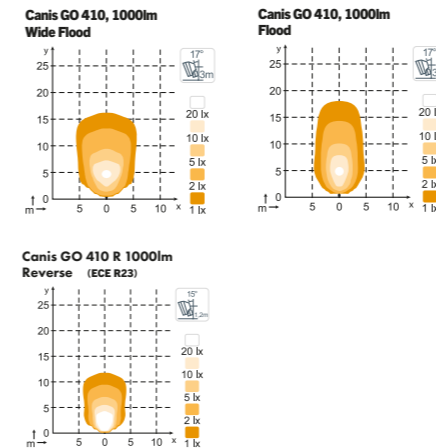


TECHNICAL SPECIFICATIONS	CANIS GO 410	CANIS GO 420
Theoretical / Operational Lumens Output:	1600lm / 1000lm	2800lm / 1800lm
Colour Temperature:	5000K	5000K
Nominal / Input Voltage DC:	12V, 24V / 9-16V, 18-32V, 36, 48V / 30-64V (Dimmable)	12V, 24V / 9-16V, 18-32V (Dimmable)
Power Consumption:	16W (12/24V), 18W (36/48V)	28W
Nominal Current:	@36/48V= 0.38A, @24V=0.60A, @12V=1.05A	@24V=1.00A, @12V=1.80A
Mount:	Single Bolt M8	Single Bolt M8
Connector:	Built-in Deutsch DT-2 (2-pin)	Built-in Deutsch DT-2 (2-pin)
EMC:	CISPR 25 Class 5, EN12895, ISO 13766, ISO 14982, ISO 7637-2	CISPR 25 Class 5, EN12895, ISO 13766, ISO 14982, ISO 7637-2
Electronics:	Integrated / Isolated	Integrated / Isolated
Shock:	60G	60G
Vibration:	8Grms 24-2000 Hz	8Grms 24-2000 Hz
IP Rating:	IP68, IP6K9K	IP68, IP6K9K
Weight:	0.5kg	0.5kg
Operating Temperatures:	-40°C... +85°C (Overheat protected)	-40°C... +85°C (Overheat protected)

▽ LIGHT PATTERNS



▽ LIGHT PATTERNS



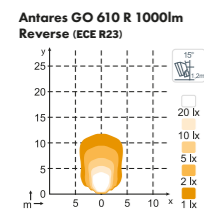
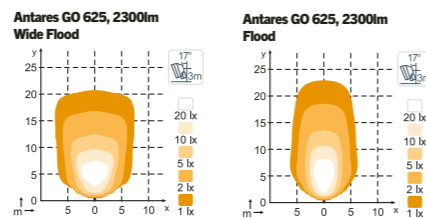
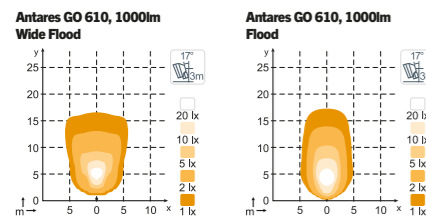


TECHNICAL SPECIFICATIONS

	ANTARES GO 610	ANTARES GO 625
Theoretical / Operational Lumens Output:	1600lm / 1000lm	3600lm / 2300lm
Colour Temperature:	5000K	5000K
Nominal / Input Voltage DC:	12V, 24V / 9-16V, 18-32V (Dimmable)	12V, 24V / 9-16V, 18-32V (Dimmable)
Power Consumption:	16W	39W
Nominal Current:	@24V=0.60A, @12V=1.05A	@24V=1.40A, @12V=2.50A
Mount:	Single Bolt M8	Single Bolt M8
Connector:	Built-in Deutsch DT-2 (2-pin)	Built-in Deutsch DT-2 (2-pin)
EMC:	CISPR 25 Class 5, EN12895, ISO 13766, ISO 14982, ISO 7637-2	CISPR 25 Class 5, EN12895, ISO 13766, ISO 14982, ISO 7637-2
Electronics:	Integrated / Isolated	Integrated / Isolated
Shock:	60G	60G
Vibration:	8Grms 24-2000 Hz	8Grms 24-2000 Hz
IP Rating:	IP68, IP6K9K	IP68, IP6K9K
Weight:	0.8kg	0.8kg
Operating Temperatures:	-40°C... +85°C (Overheat protected)	-40°C... +85°C (Overheat protected)



LIGHT PATTERNS



KL SERIES



THE AFFORDABLE ONE

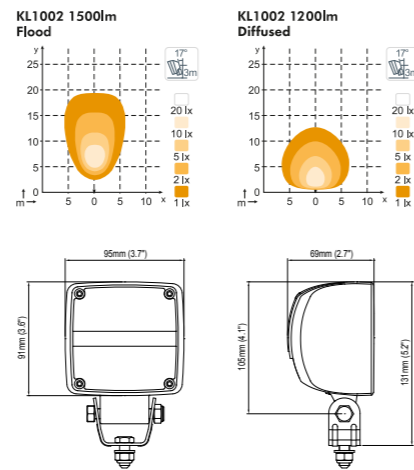
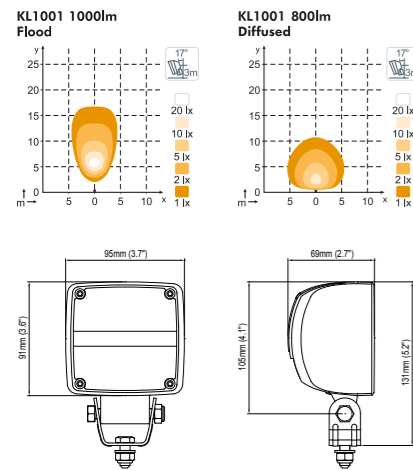
We designed the KL series with both new and existing customers in mind. The KL work lights are an excellent choice when you're in need of an upgrade, whether replacing halogen work lights with LEDs or looking for a cost-effective alternative for your heavy-duty equipment. This series offers lights with bracket mounting and with surface mounting on application bodies. Our introductory level KL lights are low-maintenance and withstand vibration up to 8 Grms. Light output in the series varies from 300 to 2000 lumens.





TECHNICAL SPECIFICATIONS	KL1001 LED	KL1002 LED
Theoretical / Operational Lumens Output:	1600lm / 1000lm	2400lm / 1500lm
Colour Temperature:	5700K	5700K
Nominal / Input Voltage DC:	12-24V / 9-32V (Dimmable)	12-24V / 9-32V (Dimmable)
Power Consumption:	24W	24W
Nominal Current:	24V: 1.0A, 12V: 2.0A	24V: 1.0A, 12V: 2.0A
Mount:	Single Bolt M10, Single Bolt M8	Single Bolt M10, Single Bolt M8
Connector:	Fly Leads, Pigtail Deutsch 2-pin	Fly Leads, Pigtail Deutsch 2-pin
EMC:	CISPR 25 Class 5, EN 12895, ISO 13766, ISO 14982, ISO 7637-2	CISPR 25 Class 5, EN 12895, ISO 13766, ISO 14982, ISO 7637-2
Electronics:	Integrated / Isolated	Integrated / Isolated
Shock:	60G	60G
Vibration:	8Grms 24-2000Hz (with HD bracket)	8Grms 24-2000Hz (with HD bracket)
IP Rating:	IP68, IP6K9K, SAE J1455	IP68, IP6K9K, SAE J1455
Weight:	0.7kg	0.7kg
Operating Temperatures:	-40°C... +85°C (Overheat protected)	-40°C... +85°C (Overheat protected)

▽ LIGHT PATTERNS



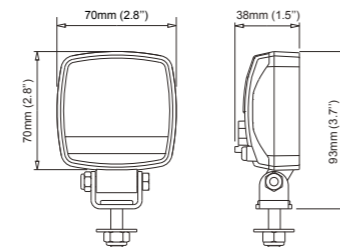
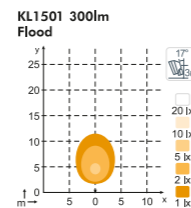
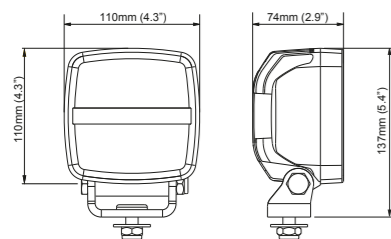
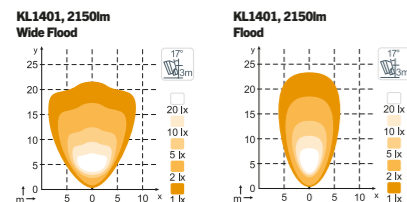


TECHNICAL SPECIFICATIONS	KL1401 LED	KL1501 LED
Theoretical / Operational Lumens Output:	3200lm / 2150lm	500lm / 300lm
Colour Temperature:	5700K	5700K
Nominal / Input Voltage DC:	12-24V / 9-32V (Dimmable)	12-24V / 9-32V (Dimmable)
Power Consumption:	42W	10W
Nominal Current:	24V: 1.7A, 12V: 3.5A	24V: 0.4A, 12V: 0.8A
Mount:	Single Bolt M10	Single Bolt M8
Connector:	Built-in Deutsch DT-2 (2-pin)	Built-in Deutsch DT-2 (2-pin)
EMC:	CISPR 25 Class 5, EN12895, ISO 13766, ISO 14982, ISO 7637-2	CISPR 25 Class 5, EN12895, ISO 13766, ISO 14982, ISO 7637-2
Electronics:	Integrated / Isolated	Integrated / Isolated
Shock:	60G	60G
Vibration:	8Grms 24-2000Hz	8Grms 24-2000Hz
IP Rating:	IP68, IP6K9K, SAE J1455	IP68, IP6K9K, SAE J1455
Weight:	0.9kg	0.2 kg
Operating Temperatures:	-40°C... +85°C (Overheat protected)	-40°C... +85°C (Overheat protected)

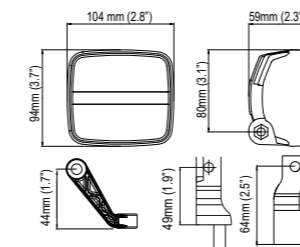
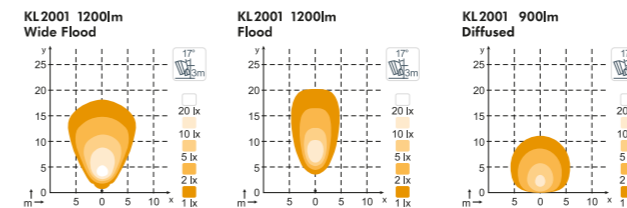


TECHNICAL SPECIFICATIONS	KL2001 LED
Theoretical / Operational Lumens Output:	1900lm / 1200lm
Colour Temperature:	5700K
Nominal / Input Voltage DC:	12-24V / 9-32V (Dimmable)
Power Consumption:	20W
Nominal Current:	24V: 0.8A, 12V: 1.7A
Mount:	Single Bolt M8
Connector:	Built-in AMP, Built-in Deutsch DT-2 (2-pin)
EMC:	CISPR 25 Class 5, EN12895, ISO 13766, ISO 14982, ISO 7637-2
Electronics:	Integrated / Isolated
Shock:	60G
Vibration:	8Grms 24-2000Hz
IP Rating:	IP68, IP6K9K, SAE J1455
Weight:	0.5 kg
Operating Temperatures:	-40°C... +85°C (Overheat protected)

▽ LIGHT PATTERNS



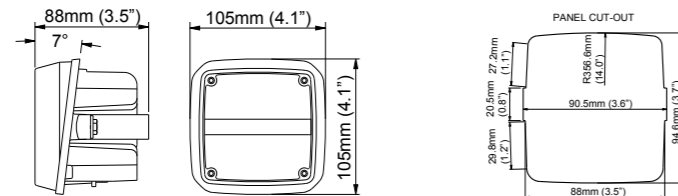
▽ LIGHT PATTERNS





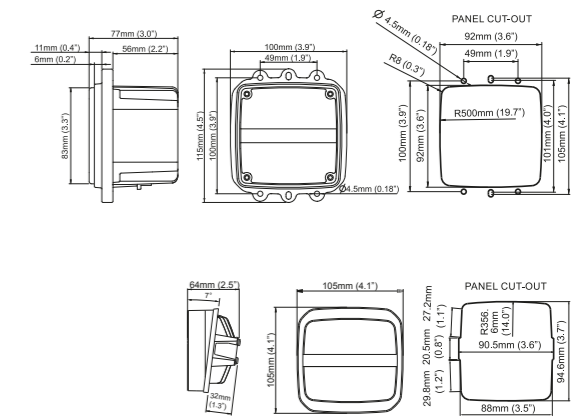
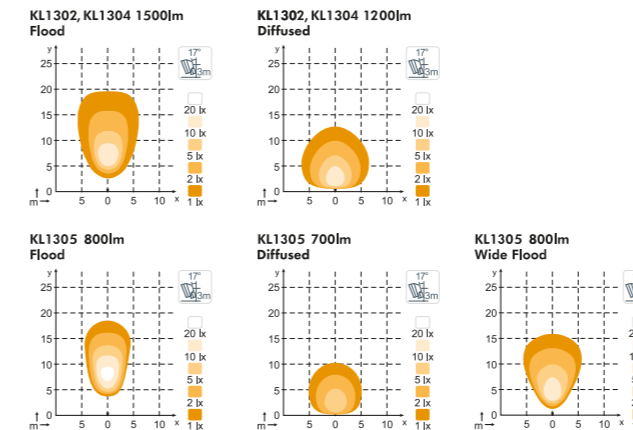
TECHNICAL SPECIFICATIONS	KL1302 LED F7°
Theoretical / Operational Lumens Output:	2400lm / 1500lm
Colour Temperature:	5700K
Nominal / Input Voltage DC:	12-24V / 9-32V (Dimmable)
Power Consumption:	24W
Nominal Current:	24V: 1.0A, 12V: 2.0A
Mount:	Integrated
Connector:	Fly Leads Pigtail AMP Pigtail Deutsch 2-pin Pigtail PGJ19-5
EMC:	CISPR 25 Class 5, EN 12895, ISO 13766, ISO 14982, ISO 7637-2
Electronics:	Integrated / Isolated
Shock:	60G
Vibration:	8Grms 24-2000Hz
IP Rating:	IP68, IP6K9K, SAE J1455
Weight:	0.45kg
Operating Temperatures:	-40°C... +85°C (Overheat protected)

DRAWINGS



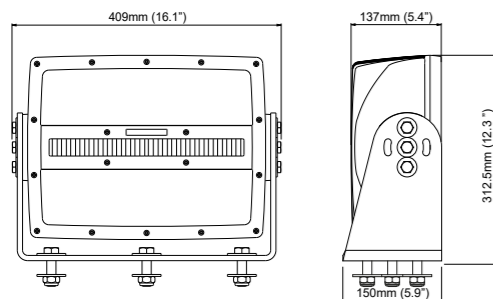
TECHNICAL SPECIFICATIONS	KL1304 LED F0°	KL1305 LED F7° SNAP-IN
Theoretical / Operational Lumens Output:	2400lm / 1500lm	1300lm / 800lm
Colour Temperature:	5700K	5700K
Nominal / Input Voltage DC:	12-24V / 9-32V (Dimmable)	12-24V / 9-32V (Dimmable)
Power Consumption:	24W	20W
Nominal Current:	24V: 1.0A, 12V: 2.0A	24V: 0.8A, 12V: 1.7A
Mount:	Integrated	Integrated
Connector:	Fly Leads Pigtail AMP Pigtail Deutsch 2-pin Pigtail PGJ19-5	Built-in Deutsch 2-pin
EMC:	CISPR 25 Class 5, EN 12895, ISO 13766, ISO 14982, ISO 7637-2	CISPR 25 Class 5, EN12895, ISO 13766, ISO 14982, ISO 7637-2
Electronics:	Integrated / Isolated	Integrated / Isolated
Shock:	60G	60G
Vibration:	8Grms 24-2000Hz	15.3Grms 24-2000Hz
IP Rating:	IP68, IP6K9K, SAE J1455	IP6K9K, SAE J1455
Weight:	0.45kg	0.5kg
Operating Temperatures:	-40°C... +85°C (Overheat protected)	-40°C... +85°C (Overheat protected)

LIGHT PATTERNS & DRAWINGS



GEMINI

MEASUREMENTS



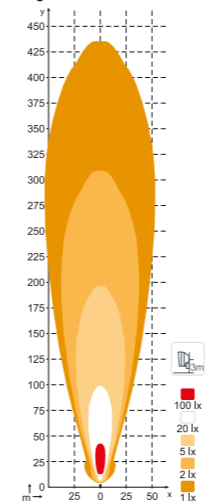
The King of the Hill

This majestic light has no less than 60 LEDs and weighs 18 kg. The Gemini is mostly used in the mining industry and on bucket-wheel excavators. However, with an output ranging from 13,800 to 25,200 lumens, it also sees use illuminating harbors, generally mounted on harbor masts.

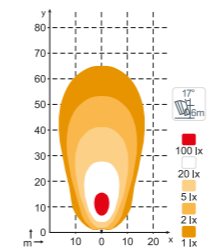
TECHNICAL SPECIFICATIONS	GEMINI LED N4701	GEMINI LED N4702
Theoretical / Operational Lumens Output:	40300lm / 25200lm	28800lm / 18000lm
Colour Temperature:	5700K	5700K
Nominal / Input Voltage DC:	18-32V	18-32V
Power Consumption:	300W	270W
Nominal Current:	12.5A	11.3A
Mount:	5 pcs Bolt M14x35	5 pcs Bolt M14x35
Connector:	2 x Built-in Deutsch DT-2 (2-pin)	2 x Built-in Deutsch DT-2 (2-pin)
EMC:	CISPR 25 Class 3, ISO 13766, ISO 14982, ISO 7637-2	CISPR 25 Class 3, ISO 13766, ISO 14982, ISO 7637-2
Electronics:	Integrated	Integrated
IP Rating:	IP68, IP6K9K	IP68, IP6K9K
Weight:	18kg	18kg
Operating Temperatures:	-40°C... +85°C (Overheat protected)	-40°C... +85°C (Overheat protected)

LIGHT PATTERNS

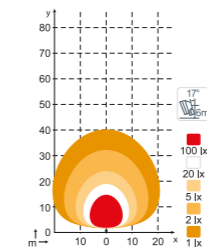
N4701 25200lm High Beam



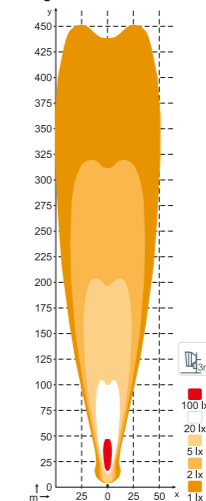
N4701 25200lm Flood



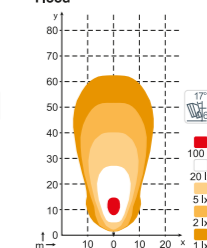
N4701 20160lm Diffused



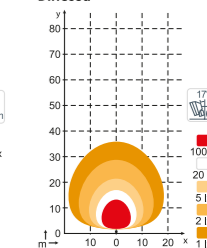
N4702 18000lm High Beam



N4702 18000lm Flood



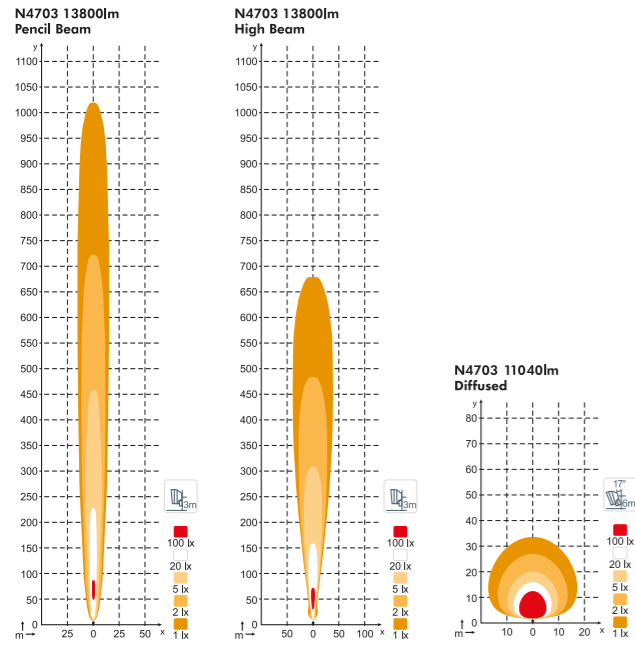
N4702 14400lm Diffused



TECHNICAL SPECIFICATIONS **GEMINI LED N4703**

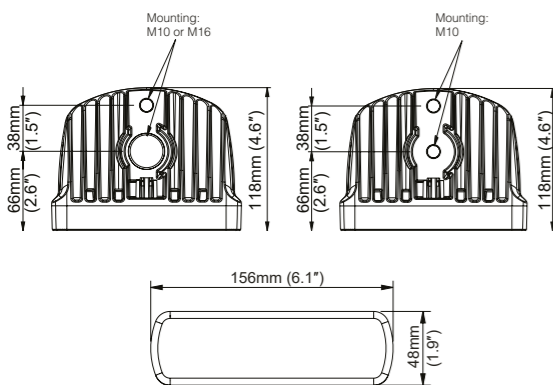
Theoretical / Operational Lumens Output:	22000lm / 13800lm
Colour Temperature:	5700K
Nominal / Input Voltage DC:	24V / 18-32V
Power Consumption:	240W
Nominal Current:	24 V / 10A
Mount:	5 pcs Bolt M14x35
Connector:	2 x Built-in Deutsch DT-2 (2-pin)
EMC:	CISPR 25 Class 3
Electronics:	Integrated
IP Rating:	IP68
Weight:	18kg
Operating Temperatures:	-40°C... +85°C (Overheat protected)

LIGHT PATTERNS



PICTOR 620

MEASUREMENTS



Extreme Precision Lighting

With this you'll be sure to hit the bulls-eye. Pictor 620 is designed to be mounted on equipment booms or vehicle bodies for optimized and targeted illumination of a specific work area. Thanks to its compact and clever design, this low-profile work light is unbeatable in durability, able to withstand roughness along its edges and the odd bump in the corners. The mechanical, thermal and corrosion resistance of Pictor 620 is excellent. Used in the construction, forestry and mining industries, it is particularly suitable for excavators, telehandlers and other equipment with a boom.

TECHNICAL SPECIFICATIONS	PICTOR 620
Theoretical / Operational Lumens Output:	2700lm / 1800lm
Colour Temperature:	5000K
Nominal / Input Voltage DC:	12-24V / 9-32V, 18-32V (Dimmable)
Power Consumption:	28W
Nominal Current:	12V=2.0A / 24V=1.0A
Mount:	M10 or M16
Connector:	Built-in Deutsch DT-2 (2-pin)
EMC:	CISPR 25 Class 5, ISO 14982, ISO 13766, ISO 13309, ISO 11452-2, ISO 7637-2, EN 61000-4-2, ISO 14982, EN 12985
Electronics:	Integrated / Isolated
Shock:	60G
Vibration:	15.3Grms 24-2000Hz
Lens:	Grilamid® (registered trademark of EMS-GRIVORY)
IP Rating:	IP68, IP6K9K
Weight:	0.7kg
Operating Temperatures:	-40°C... +85°C (Overheat protected)

TT DS (Top Top)

Light Pattern: Downside



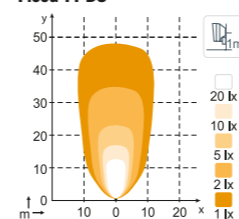
TD US (Top Down)

Light Pattern: Upside

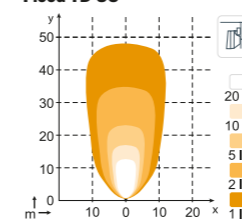


LIGHT PATTERNS

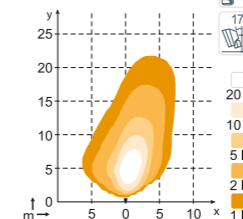
Pictor 620, 1800lm Flood TT DS



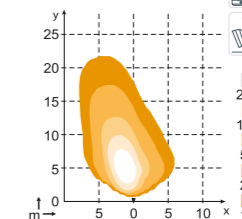
Pictor 620, 1800lm Flood TD US



Pictor 620, 1800lm Flood RH US

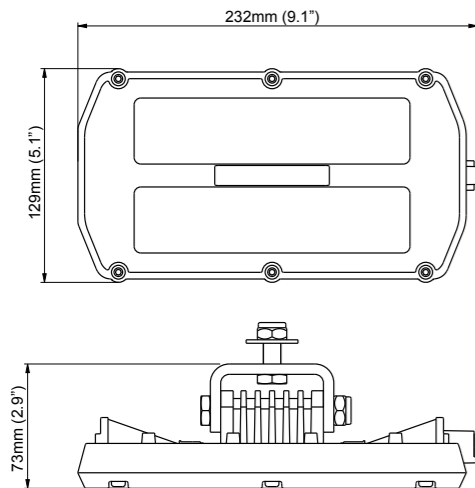


Pictor 620, 1800lm Flood LH US



TAURUS

MEASUREMENTS



No Blind Spots

Ideal for illuminating short distances, the Taurus is used primarily in engine rooms. A white plastic cover ensures that those working in its beam will not be blinded. The light pattern is designed to minimize shadows. The Taurus has no less than 54 LEDs and an output of 1950 lumens.

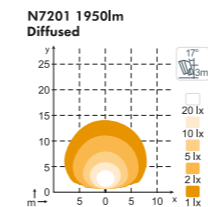
TECHNICAL SPECIFICATIONS

TAURUS LED N7201

Theoretical / Operational Lumens Output:	3100lm / 1950lm
Colour Temperature:	5300K
Nominal / Input Voltage DC:	12-24V / 9-32V
Power Consumption:	30W
Nominal Current:	24V: 1.25A, 12V: 2.5A
Mount:	Single Bolt M10
Connector:	Built-in Deutsch DT-2 (2-pin) (left or right)
EMC:	CISPR 25 Class 3, ISO 13766, ISO 14982, ISO 7637-2
Electronics:	Integrated
Shock:	60G
Vibration:	15.3Grms 24-2000Hz
IP Rating:	IP68, IP6K9K, SAE J1455
Weight:	1.3kg
Operating Temperatures:	-40°C... +85°C (Overheat protected)

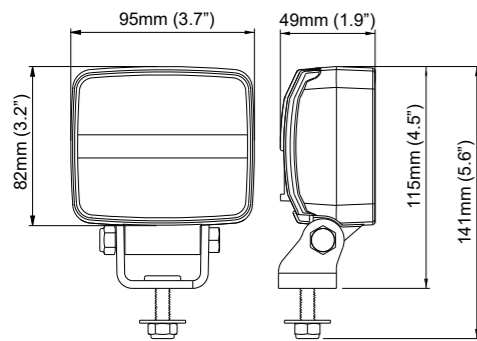


LIGHT PATTERNS



VELA

MEASUREMENTS



State-of-the-Art Warning Light

Vela is our innovative safety light that uses isolated, integrated electronics as the cornerstone of its performance. With its light capacity of 470 lumens, it produces a focused blue light that is very useful for illuminating dangerous situations. Whether used on a forklift in a warehouse as an early warning light for approaching vehicles or as a warning light on a tractor, you can be assured that this premium light will fulfill its purpose, making your work environment safer and more efficient.

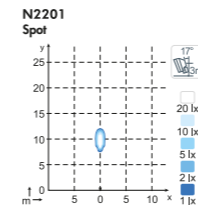
TECHNICAL SPECIFICATIONS

N2201 LED BLUE

Light colour:	Blue (470 lm)
Nominal / Input Voltage DC:	12-48 V
Power Consumption:	16W
Nominal Current at:	48V 0.3A 24V 0.7A 12V 1.4A
Mount:	Single bolt M8
Connector:	Built-in Deutsch 2-pin DT
EMC:	CISPR 25 Class 5 EN12895 ISO 13766 ISO 14982 ISO 7637-2
Electronics:	Integrated / Isolated
Shock:	60G
Vibration:	8Grms 24-2000Hz
Weight:	0.5 kg
Operating Temperatures:	-40°C... +85°C (Overheat protected)

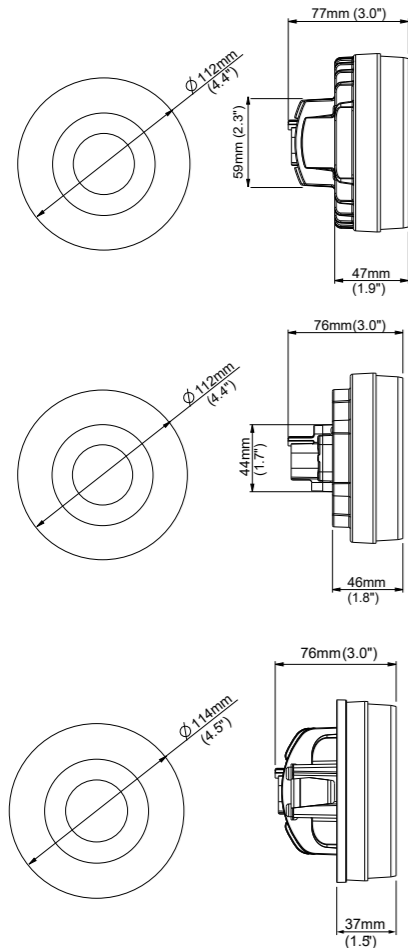


LIGHT PATTERNS



CORONA 400

MEASUREMENTS



NEW!

The Contemporary Tail Light

The Corona delivers four functions: direction indicator, position light, stop light and reverse light, and is the first LED tail light on the market that integrates all four functions in one unit. Thanks to its funky and compact design, this low-profile tail light is both good-looking and durable. With the Tell-tale compatible Corona you'll get the automotive look, but with heavy-duty standards and a vibration resistance capacity of 15.3 Grms.

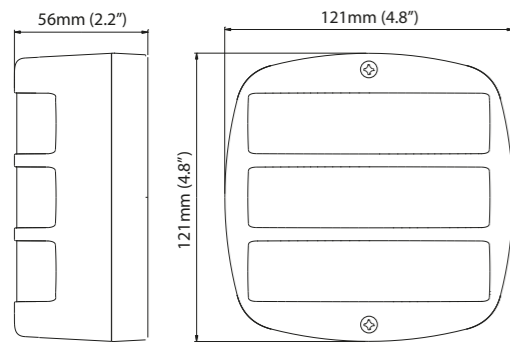


TECHNICAL SPECIFICATIONS	CORONA 400	CORONA 400 INTEGRATED	CORONA 400 SNAP-IN
		*External cooling needed	
Nominal / Input Voltage DC:	12V, 24V / 9-32V	12V, 24V / 9-32V	12V, 24V / 9-32V
Power Consumption: 12 / 24 V	Direction indicator 21W Position light 0.2 / 0.5 W Stop light 1.5 / 3.0 W Reverse light 2.0 / 4.0 W	Direction indicator 21W Position light 0.2 / 0.5 W Stop light 1.5 / 3.0 W Reverse light 2.0 / 4.0 W	Direction indicator 21W Position light 0.2 / 0.5 W Stop light 1.5 / 3.0 W Reverse light 2.0 / 4.0 W
Nominal current: 12 / 24 V	Direction indicator 1.5A / 0.75A Position light 15 mA Stop light 110 mA Reverse light 130 mA	Direction indicator 1.5A / 0.75A Position light 15 mA Stop light 110 mA Reverse light 130 mA	Direction indicator 1.5A / 0.75A Position light 15 mA Stop light 110 mA Reverse light 130 mA
Mount:	3 pcs screw M4	3 pcs screw M4	Snap-in
Connector:	Built-in Deutsch 6-pin	Built-in Deutsch 6-pin	Built-in Deutsch 6-pin
EMC:	CISPR 25 Class 5, EN 13309, EN 61000-4-2, ISO 14982-2, ISO 13766, ISO 11452, ISO 7637-2, ISO 10605	CISPR 25 Class 5, EN 13309, EN 61000-4-2, ISO 14982-2, ISO 13766, ISO 11452, ISO 7637-2, ISO 10605	CISPR 25 Class 5, EN 13309, EN 61000-4-2, ISO 14982-2, ISO 13766, ISO 11452, ISO 7637-2, ISO 10605
Electronics:	Integrated / Isolated	Integrated / Isolated	Integrated / Isolated
Shock:	60 G	60 G	60 G
Vibration:	15.3 Grms	15.3 Grms	15.3 Grms
IP Rating:	IP68, IP6K9K	IP68, IP6K9K	IP68, IP6K9K
Weight:	0.5 kg	0.5 kg	0.5 kg
Operating Temperatures:	-40°C... +85°C (Overheat protected)	-40°C... +85°C (Overheat protected)	-40°C... +85°C (Overheat protected)



DORADO

MEASUREMENTS



TECHNICAL SPECIFICATIONS	DORADO LED N70
Nominal / Input Voltage DC:	24V: 16-32V / 12V: 8-16V
Power Consumption:	Brake 1.4W Indicator 1.4W Tell-tale 24V: Indicator 18W
Nominal Current at 12V:	Brake 116mA Indicator 116mA Tail 34 mA
Nominal Current at 24V:	Brake 58mA Indicator 58mA Tell-tale: Indicator 750mA Tail 17mA
Mount:	M6x25 2pcs
Connector:	4 pin Male Terminal 6.3 x 0.8
EMC:	EN 12895, ISO 13766, ISO 14982, ISO 7637-2
Electronics:	Integrated / Isolated (Epoxy Encapsulated)
Shock:	60G
Vibration:	20Grms 24-2000Hz
Weight:	0.4kg
Operating Temperatures:	-40°C... +85°C (Overheat protected)

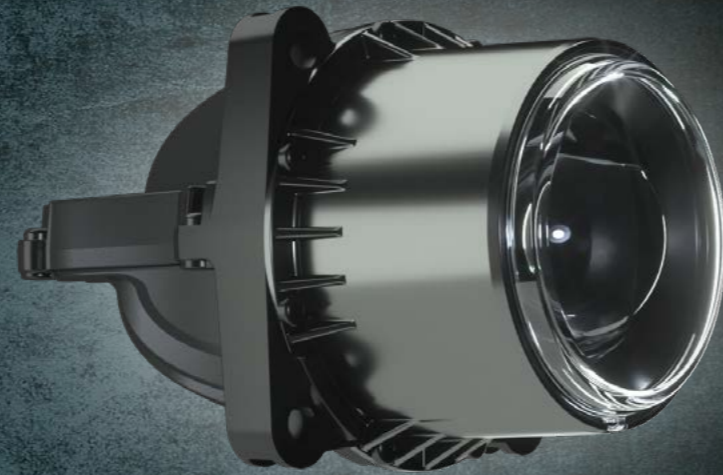
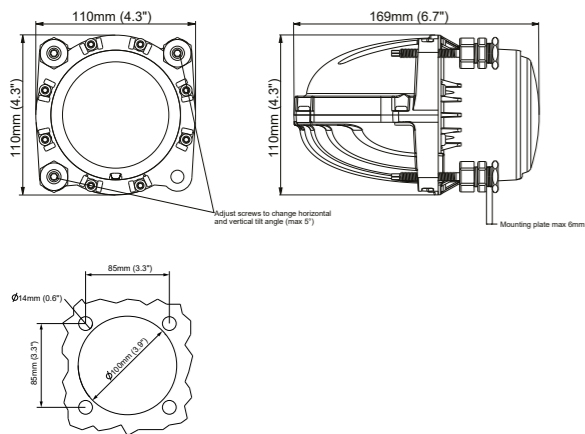
The Versatile Tail Light

We aim for versatility. This tail light combines tail, stop, and indicator lights all in one unit and can be mounted on most vehicles. Mounting is a snap since this is a tell-tale compatible light, just plug & play. The Dorado is durable against both vibration and shock.



BUMBLEBEE

MEASUREMENTS



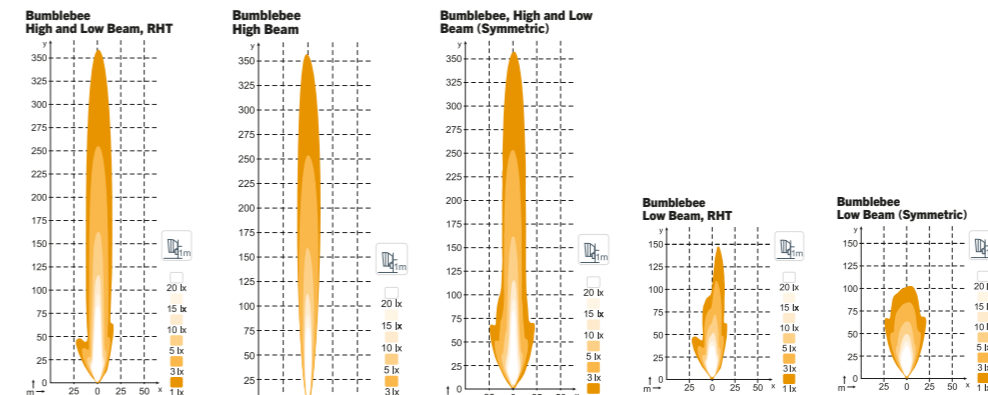
NEW!

TECHNICAL SPECIFICATIONS

BUMBLEBEE

Colour Temperature	5000K
Nominal / Input Voltage DC:	12V, 24V / 9-32V
Power Consumption: 12 / 24 V	High Beam 17W Low Beam 17W
Nominal current: 12 / 24 V	High Beam 1.4 A@12V, 0.7A@24V Low Beam 1.4 A@12V, 0.7A@24V
Mount:	3 pcs M6 Screw
Connector:	Built-in Deutsch 2-pin
EMC:	CISPR 25 Class 5, ISO 14982, ISO 13766, EN 13309, ISO 11452, ISO 7637-2, EN 61000-4-2, ISO 10605
Electronics:	Integrated / Isolated
Shock:	60 G
Vibration:	4 Grms
IP Rating:	IP68, IP6K9K
Weight:	0.97 kg
Operating Temperatures:	-40°C... +85°C (Full Power -40°C... +50°C)

LIGHT PATTERNS

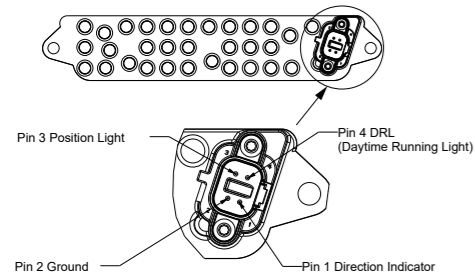
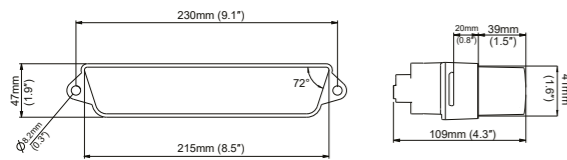


The Buzzer

The Bumblebee headlight module delivers an even, streak-free light pattern that greatly improves the driver's vision. This ECE-approved headlight module comes in high beam and low beam versions, specifically designed and optimized for heavy-duty vehicles. Thanks to the well-balanced color temperature, the driver will stay alert longer. The Bumblebee's exceptional light output in combination with the long light range places it among the top of the currently available options on the market.

CUE

MEASUREMENTS



NEW!



The Head-Turner

The CUE is a cool front combination light giving you the design freedom you need. All set for future demands, this front light combines a daytime running light, position light and direction indicator into a sleek package with a soft, even light. CUE's ingenious 360° cooling system makes it the world's first front combination light suitable for mounting at any vertical angle. Look stylish and remain visible on and off the road with the ECE-approved CUE.

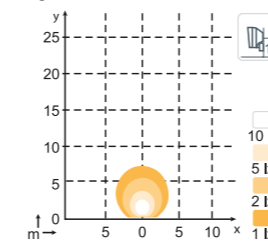


TECHNICAL SPECIFICATIONS

CUE

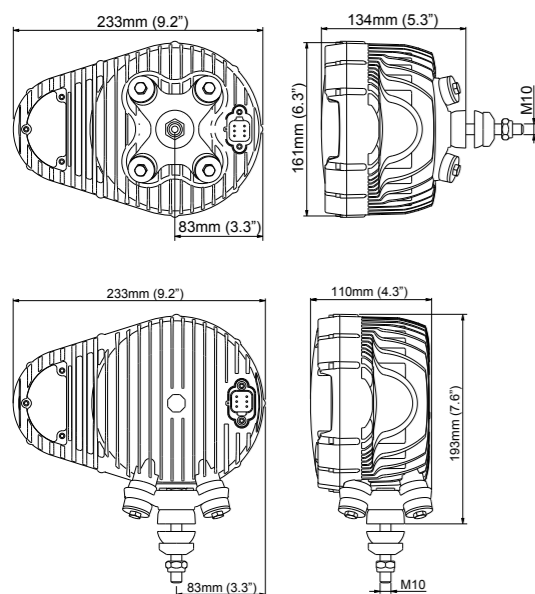
Operational Lumens Output:	500lm DRL
Nominal / Input Voltage:	24V / 18-32V
Power Consumption 28V:	DRL 11W Position 2W Direction indicator 15W
Nominal Current at:	DRL 0,4A Position 0,06A Direction indicator 0,6A
Mount:	2 pcs M8 Screw
Connector:	Built-in Deutsch 4-pin
EMC:	CISPR 25 Class 5, ISO 14982-2, ISO 13766, EN 13309, ISO 11452, ISO 7637-2, EN 61000-4-2, ISO 10605
Electronics:	Integrated / Isolated
Shock:	60 G
Vibration:	9.73 Grms
Weight:	0.5 kg
Operating Temperatures:	-40°C... +85°C (Full Power -40°C... +50°C)

LIGHT PATTERNS

CUE, 500lm DRL
Symmetric

SCULPTOR

MEASUREMENTS



ECE Approvals:
 Passing beam: ECE Regulation 112, class B for right & left hand traffic
 Driving beam: ECE Regulation 112, class B, Reference number 25
 Position light: ECE Regulation 7
 Direction Indicator: ECE Regulation 6, class 1b (front)
 Direction Indicator: ECE Regulation 6, class 5 (side)



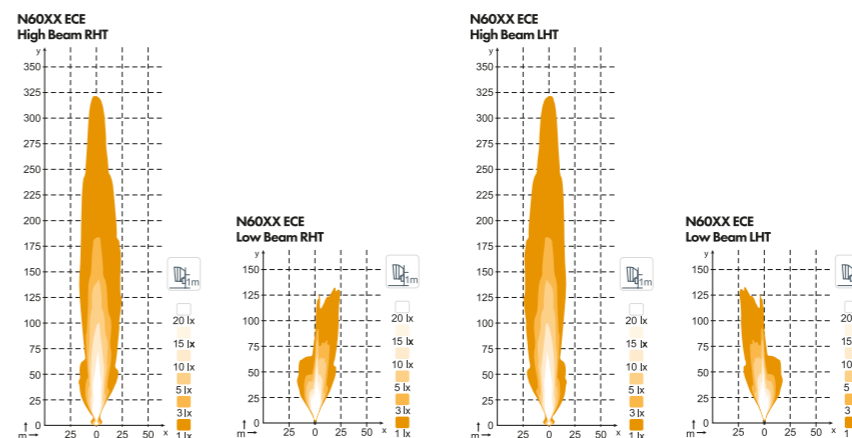
All-in-One Durable Headlight

The Sculptor driving light integrates headlight, indicator, and parking lights in one unit. Unbeatable in its durability, this light is equipped with our integrated QUAKE dampening system. The combination headlight withstands shocks of 60G and vibration of 15.3 Grms at 24–2000 Hz. This combination light with pedestal mounting is very useful in agricultural, construction, and trucking applications. It has a dual-beam function with both dipped and full beams, which offers any vehicle using this light an amazing advantage.



TECHNICAL SPECIFICATIONS	SCULPTOR LED N6001 QD	SCULPTOR LED N6002 QD
Colour Temperature:	5700K	5700K
Nominal / Input Voltage DC:	12-24V / 9-32V	12-24V / 9-32V
Bulb ECE:	High Beam 44W Low Beam 22W Park 2.7W Indicator 17.5W	High Beam 44W Low Beam 22W Park 2.7W Indicator 17.5W
Mount:	Single Bolt M10	Single Bolt M10
Connector:	Built-in Deutsch 6-pin	Built-in Deutsch 6-pin
EMC:	CISPR 25 Class 3, EN61000-4-2, ISO 13766, ISO 14982-2, ISO 11145-2, ISO 7637-2	CISPR 25 Class 3, EN61000-4-2, ISO 13766, ISO 14982-2, ISO 11145-2, ISO 7637-2
Electronics:	Integrated	Integrated
Shock:	60G	60G
Vibration:	15.3Grms 24-2000Hz	15.3Grms 24-2000Hz
IP Rating:	IP68, IP6K9K, SAE J1455	IP68, IP6K9K, SAE J1455
Weight:	2.5kg	2.5kg
Operating Temperatures:	-40°C... +85°C (Overheat protected)	-40°C... +85°C (Overheat protected)

LIGHT PATTERNS





FRONT LIGHTS



PRODUCTS

	N523 LED	N520 LED	N503 LED	N500 LED
Approvals:	ECE, SAE	ECE, SAE	ECE, SAE	ECE, SAE
Bulb	H4	H4	H4	H4
Watt & Voltage	60/55W @ 12V 75/70W @ 24V	60/55W @ 12V 75/70W @ 24V	60/55W @ 12V 75/70W @ 24V	60/55W @ 12V 75/70W @ 24V
Light Pattern	High/LowBeam	High/LowBeam	High/LowBeam	High/LowBeam
Mount	M10	M10	M10	M10
Vibration Dampening	D	-	D	-



PRODUCTS

	N523 HALOGEN	N520 HALOGEN	N503 HALOGEN	N500 HALOGEN
Approvals:	ECE, SAE	ECE, SAE	ECE, SAE	ECE, SAE
Bulb	H4	H4	H4	H4
Watt & Voltage	60/55W @ 12V 75/70W @ 24V	60/55W @ 12V 75/70W @ 24V	60/55W @ 12V 75/70W @ 24V	60/55W @ 12V 75/70W @ 24V
Light Pattern	High/LowBeam	High/LowBeam	High/LowBeam	High/LowBeam
Mount	M10	M10	M10	M10
Vibration Dampening	D	-	D	-

Connectors: Pigtail Deutsch 6-pin, Built-in AMP 6-pin, Built-in Deutsch 6-pin, Grommet



FOR MORE TECHNICAL SPECIFICATIONS, PLEASE REFER TO OUR WEBSITE.



HALOGEN WORK LIGHTS



PRODUCTS

	N300 HALOGEN SD	N300 HALOGEN SD TP	N300 HALOGEN D	N300 HALOGEN D TP
Bulb	H3/H3 HD	H3/H3 HD	H3/H3 HD	H3/H3 HD
Watt & Voltage	55W@12V 65W@24V HD Bulb 70W@24V	110W@12V 130W@24V HD Bulb 140W@24V	60/55W @ 12V 75/70W @ 24V	60/55W @ 12V 75/70W @ 24V
Light Pattern	Wide Flood	Wide Flood	Wide Flood	Wide Flood
Mount	M8 or M10	M8 or M10	M8 or M10	M8 or M10
Vibration Dampening	SD	SD	D	D



PRODUCTS

	N300 HALOGEN D H	N300 HALOGEN D TP H	N300 HALOGEN D R	N300 HALOGEN D H GRILL
Bulb	H3/H3 HD	H3/H3 HD	H3/H3 HD	H3/H3 HD
Watt & Voltage	55W@12V 65W@24V HD Bulb 70W@24V	110W@12V 130W@24V HD Bulb 140W@24V	55W@12V 65W@24V HD Bulb 70W@24V	55W@12V 65W@24V HD Bulb 70W@24V
Light Pattern	Wide Flood	Wide Flood	Wide Flood	Wide Flood
Mount	M8 or M10	M8 or M10	M8 or M10	M8 or M10
Vibration Dampening	D	D	D	D



HALOGEN WORK LIGHTS



PRODUCTS	N200 HALOGEN XD	N200 HALOGEN D	N200 HALOGEN	N200 HALOGEN D H
Bulb	H3/H3 HD	H3/H3 HD	H3/H3 HD	H3/H3 HD
Watt & Voltage	55W@12V 65W@24V HD Bulb 70W@24V	55W@12V 65W@24V HD Bulb 70W@24V	55W@12V 65W@24V HD Bulb 70W@24V	55W@12V 65W@24V HD Bulb 70W@24V
Light Pattern	Wide Flood, Flood, HighBeam, LowBeam	Wide Flood, Flood, HighBeam, LowBeam	Wide Flood, Flood, HighBeam, LowBeam	Wide Flood, Flood, HighBeam, LowBeam
Mount	M8 or M10	M8 or M10	M8 or M10	M8 or M10
Vibration Dampening	XD	D	-	D



PRODUCTS	N200 HALOGEN H	N100 HALOGEN XD	N100 HALOGEN D	N100 HALOGEN D TP
Bulb	H3/H3 HD	H3/H3 HD	H3/H3 HD	H3/H3 HD
Watt & Voltage	55W@12V 65W@24V HD Bulb 70W@24V	55W@12V 65W@24V HD Bulb 70W@24V	55W@12V 65W@24V HD Bulb 70W@24V	110W@12V 130W@24V HD Bulb 140W@24V
Light Pattern	Wide Flood, Flood, HighBeam, LowBeam	Wide Flood, Flood	Wide Flood, Flood	Wide Flood, Flood
Mount	M8 or M10	M8 or M10	M8 or M10	M8 or M10
Vibration Dampening	-	XD	D	D



HALOGEN WORK LIGHTS



PRODUCTS	N100 HALOGEN	N100 HALOGEN TP	N100 HALOGEN S	N25 HALOGEN D
Bulb	H3/H3 HD	H3/H3 HD	H3/H3 HD	H3/H3 HD
Watt & Voltage	55W@12V 65W@24V HD Bulb 70W@24V	110W@12V 130W@24V HD Bulb 140W@24V	55W@12V 65W@24V HD Bulb 70W@24V	55W@12V 65W@24V HD Bulb 70W@24V
Light Pattern	Wide Flood, Flood	Wide Flood, Flood	Wide Flood, Flood	Wide Flood, Flood, HighBeam, LowBeam
Mount	M8 or M10	M8 or M10	M8 or M10	M8 or M10
Vibration Dampening	-	-	-	D



PRODUCTS	N25 HALOGEN	N25 HALOGEN D R	N25 HALOGEN R
Bulb	H3/H3 HD	H3/H3 HD	H3/H3 HD
Watt & Voltage	55W@12V 65W@24V HD Bulb 70W@24V	110W@12V 130W@24V HD Bulb 140W@24V	55W@12V 65W@24V HD Bulb 70W@24V
Light Pattern	Wide Flood, Flood, HighBeam, LowBeam	Wide Flood, Flood, HighBeam, LowBeam	Wide Flood, Flood, HighBeam, LowBeam
Mount	M8 or M10	M8 or M10	M8 or M10
Vibration Dampening	-	D	-

Connectors: Built-in AMP, Built-in Deutsch DT-2 (2-pin), Fly Leads, Grommet, Pigtail Deutsch 2-pin



FOR MORE TECHNICAL SPECIFICATIONS, PLEASE REFER TO OUR WEBSITE.



HALOGEN INDICATOR LIGHTS



PRODUCTS	N25 HALOGEN D I	N25 HALOGEN I
Bulb	12V P21W (BA15s) 24V P21W (BA15s)t	12V P21W (BA15s) 24V P21W (BA15s)
Light Pattern	-	-
Mount	M8 or M10	M8 or M10
Vibration Dampening	D	-

Connectors: Built-in AMP, Built-in Deutsch DT-2 (2-pin), Pigtail Deutsch 2-pin



HALOGEN FLUSH MOUNT



PRODUCTS	N300 HALOGEN F0°	N300 HALOGEN F0° TP	N300 HALOGEN F5°	N300 HALOGEN F5° TP
Bulb	H3/H3 HD	H3/H3 HD	H3/H3 HD	H3/H3 HD
Watt & Voltage	55W@12V 65W@24V HD Bulb 70W@24V	110W@12V 130W@24V HD Bulb 140W@24V	55W@12V 65W@24V HD Bulb 70W@24V	110W@12V 130W@24V HD Bulb 140W@24V
Light Pattern	Wide Flood	Wide Flood	Wide Flood	Wide Flood
Mount	Integrated	Integrated	Integrated	Integrated
Vibration Dampening	-	-	-	-



PRODUCTS	N100 HALOGEN F0°	N100 HALOGEN F0° TP	N100 HALOGEN F5°	N100 HALOGEN F5° TP
Bulb	H3/H3 HD	H3/H3 HD	H3/H3 HD	H3/H3 HD
Watt & Voltage	55W@12V 65W@24V HD Bulb 70W@24V	110W@12V 130W@24V HD Bulb 140W@24V	55W@12V 65W@24V HD Bulb 70W@24V	110W@12V 130W@24V HD Bulb 140W@24V
Light Pattern	Wide Flood, Flood	Wide Flood, Flood	Wide Flood, Flood	Wide Flood, Flood
Mount	Integrated	Integrated	Integrated	Integrated
Vibration Dampening	-	-	-	-



FOR MORE TECHNICAL SPECIFICATIONS, PLEASE REFER TO OUR WEBSITE.



HALOGEN FLUSH MOUNT



PRODUCTS	N100 HALOGEN FB5°	N100 HALOGEN FB5° TP	N100 HALOGEN F27°	N100 HALOGEN F27° TP
Bulb	H3/H3 HD	H3/H3 HD	H3/H3 HD	H3/H3 HD
Watt & Voltage	55W@12V 65W@24V HD Bulb 70W@24V	110W@12V 130W@24V HD Bulb 140W@24V	55W@12V 65W@24V HD Bulb 70W@24V	110W@12V 130W@24V HD Bulb 140W@24V
Light Pattern	Wide Flood	Wide Flood	Wide Flood	Wide Flood
Mount	Integrated	Integrated	Integrated	Integrated
Vibration Dampening	-	-	-	-

Connectors: AMP Terminal



PRODUCTS	N25 HALOGEN F0° TP	N25 HALOGEN FB12°		
Bulb	H3/H3 HD	H3/H3 HD		
Watt & Voltage	110W@12V 130W@24V HD Bulb 140W@24V	55W@12V 65W@24V HD Bulb 70W@24V		
Light Pattern	Wide Flood, Flood, HighBeam, LowBeam	Wide Flood, Flood, HighBeam, LowBeam		
Mount	Integrated	Integrated		
Vibration Dampening	-	-		

Connectors: AMP Terminal, Pigtail Deutsch 2-pin



FOR MORE TECHNICAL SPECIFICATIONS, PLEASE REFER TO OUR WEBSITE.



HID WORK LIGHTS



PRODUCTS	N400 HID BOOSTER XD	N400 HID XD	N400 HID BOOSTER XD HS
Bulb	D1S	D1S	D1S
Watt & Voltage	45W@12V 45W@24V	35W@12V 35W@24V	45W@12V 45W@24V
Light Pattern	Wide Flood, Flood, HighBeam, LowBeam	Wide Flood, Flood, HighBeam, LowBeam	Wide Flood, Flood, HighBeam, LowBeam
Mount	M10	M10	M10
Vibration Dampening	XD	XD	XD



PRODUCTS	N45 HID BOOSTER XD	N45 HID XD	N45 HID BOOSTER	N45 HID
Bulb	D1S	D1S	D1S	D1S
Watt & Voltage	45W@12V 45W@24V	35W@12V 35W@24V	45W@12V 45W@24V	35W@12V 35W@24V
Light Pattern	Wide Flood, Flood, HighBeam, LowBeam	Wide Flood, Flood, HighBeam, LowBeam	Wide Flood, Flood, HighBeam, LowBeam	Wide Flood, Flood, HighBeam, LowBeam
Mount	M10	M10	M10	M10
Vibration Dampening	XD	XD	D	D



HID WORK LIGHTS



PRODUCTS	N45 HID BOOSTER H	N45 HID H		
Bulb	45W D1S	35W D1S		
Watt & Voltage	45W@12V 45W@24V	35W@12V 35W@24V		
Light Pattern	Wide Flood, Flood, HighBeam, LowBeam	Wide Flood, Flood, HighBeam, LowBeam		
Mount	M10	M10		
Vibration Dampening	D	D		

Connectors: Built-in Deutsch DT-2 (2-pin), Pigtail Deutsch 2-pin



WARRANTY

For full details of warranty terms and conditions, please visit:
<https://www.nordiclights.com/terms-conditions/>



ABBREVIATIONS

D	Dampening	QD	Quake Dampening	TP	Twin Power
ECE	European Union Traffic Regulations	R	Reverse	TT	Upright Pedestal mount (Top Top)
DS	Down Side	RH	Right Hand mount	US	Up Side
F	Flushmount	S	Side mount	V	Version
G	Generation	SAE	USA Traffic Regulations	XD	Extreme Heavy Duty Dampening
H	Handle	SD	Super Dampening		
HS	Handle & Switch	SP	Single Power		
LH	Left Hand mount	TD	Suspended Pedestal mount (Top Down)		
				PH	Phenom Optics



FOR MORE TECHNICAL SPECIFICATIONS, PLEASE REFER TO OUR WEBSITE.



NOTES

HEAD OFFICE

Nordic Lights Ltd.
Bennäsvägen 155
P.O. Box 36
FI-68601 Jakobstad
Finland
www.nordiclights.com
Tel. +358 20 1345 100
Fax +358 20 1345 108

GERMANY

Herrmans Nordic Lights GmbH
Wilhelmstr. 5
59439 Holzwickede
Germany
Tel +49 2301 919787 13
Fax +49 2301 919787 26

USA

Nordic Lights NA Inc
4451 Robards Ln.
Louisville, Kentucky 40218
USA
Tel +1 262 215 6930 / OEM

BRAZIL

Nordic Lights Brazil
Rua Aiuruoca N:º 95, Apt 102B
Belo Horizonte- Minas Gerais
CEP 31.910-130
Brazil
Tel +55 31 9 9885-2564

CHINA

苏州拉普照明有限公司
Nordic Lights (SuZhou) Co.,Ltd
苏州工业园区葑亭大道598号2号厂房
No.598 2# Fengting Avenue SIP Jiangsu
China
电话 0512-62535860, 0512-62535861
Tel 0512-62535860, 0512-62535861
传真 0512-62535862
Fax 0512-62535862

